

# TOTO

## Wall-Mount Mixer/Valve + Box

TBG09303BA  
(On/Off Switch)

TBG09304BA  
(2-Way Diverter with off)

Univalve Box  
TBN01001B

Univalve Box  
TBN01001B



Comfort  
Glide



Mini Unit

TBG09303BA  
TBG09304BA

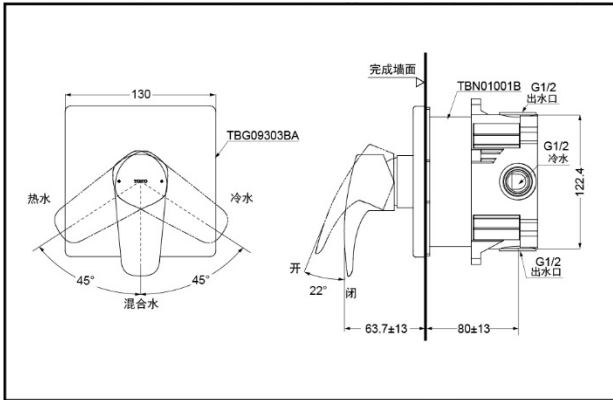
### FEATURES

- Elegant appearance.
- Beautiful curves reveal elegant taste.
- Easy installation and usage.

### SPECIFICS

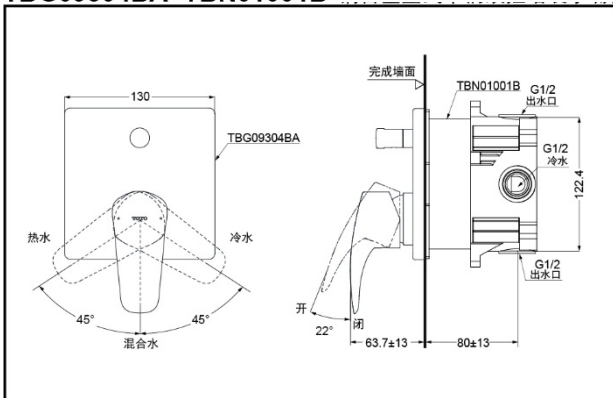
Water Inlet Requirement:  
0.05MPa (Dynamic Pressure) ~ 1.0MPa (Static Pressure)

TBG09303BA+TBN01001B Wall-Mount Mixer/Valve+Box



\*TOTO(CHINA) CO.,LTD. All rights reserved.

TBG09304BA+TBN01001B Wall-Mount Mixer/Valve+Box



\*TOTO(CHINA) CO.,LTD. All rights reserved.  
TOTO(CHINA) CO.,LTD. www.toto.com.cn

### Others

Series: GM  
Recommend fittings :  
G series Shower