

TBG09202C



Comfort
Wave

FEATURES

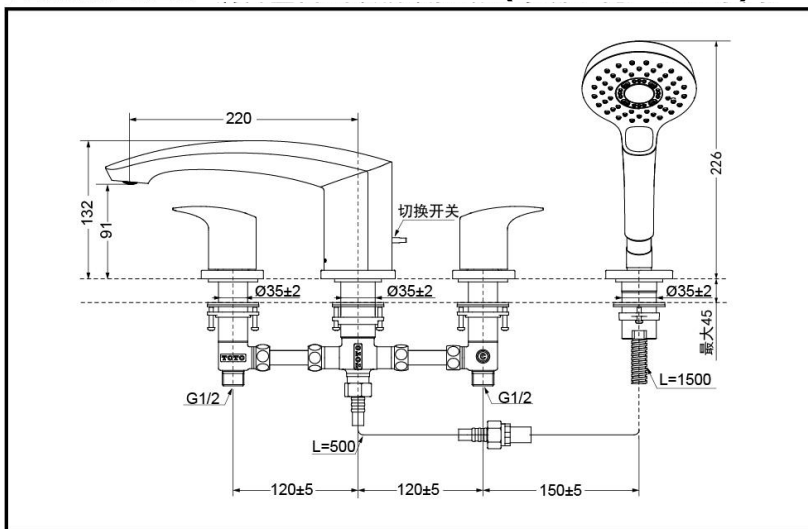
- Elegant appearance.
- Beautiful curves reveal elegant taste.
- Easy installation and usage.

SPECIFICS

Water Inlet Requirement:
0.05MPa(Dynamic Pressure)~1.0MPa(Static Pressure)

Water Efficiency:
Grade3(Hand Shower)

TBG09202C Deck-Mount Tub Filler(W/ Hand Shower)



*TOTO(CHINA) CO.,LTD. All rights reserved.

Others

Series: GM