

TBG09001B



TBG09001B

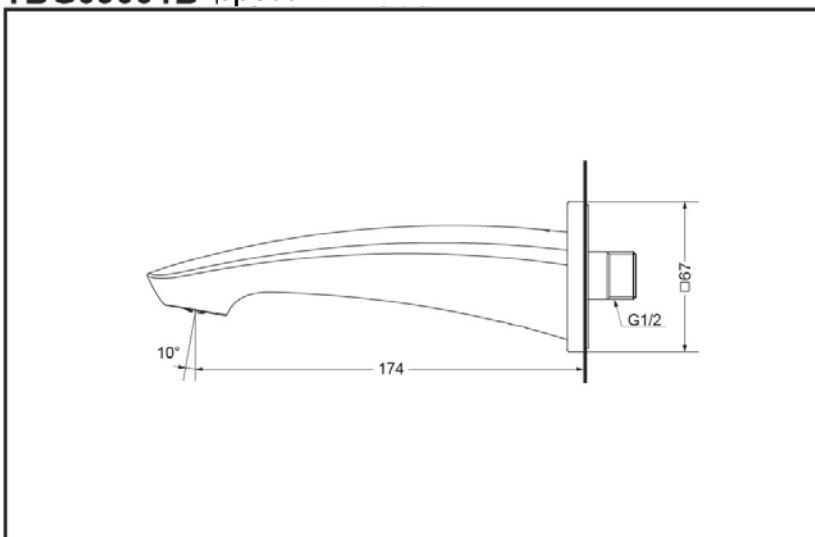
FEATURES

- Elegant appearance.
- Beautiful curves reveal elegant taste.

SPECIFICS

Water Inlet Requirement :
0.05MPa(Dynamic
Pressure)~1.0MPa(Static
Pressure)

TBG09001B Spout



*TOTO(CHINA) CO.,LTD. All rights reserved.

Others

Series : GM