

TBG11201B



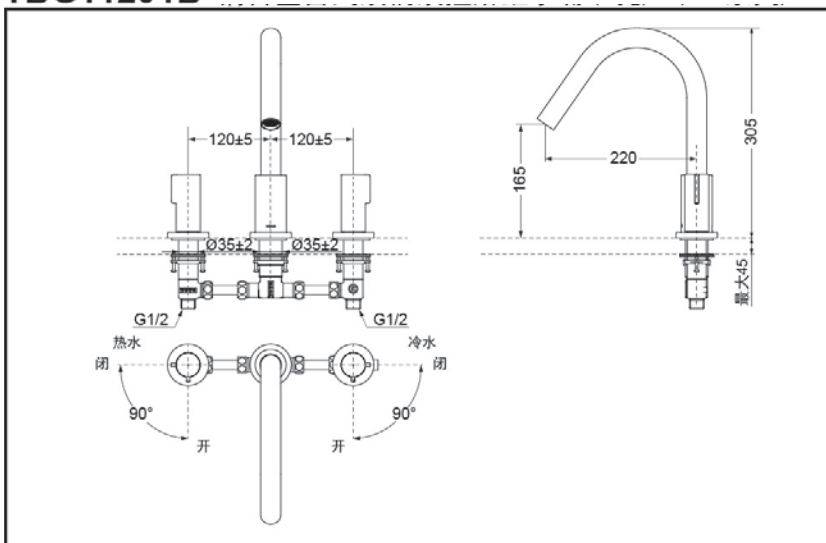
### FEATURES

- Elegant appearance.
- Beautiful curves reveal elegant taste.
- Easy installation and usage.

### SPECIFICS

Water Inlet Requirement :  
0.05MPa(Dynamic Pressure)~1.0MPa(Static Pressure)

### TBG11201B Deck-Mount Tub Filler



\*TOTO(CHINA) CO.,LTD. All rights reserved.

### Others

Series : GF