

TBG07001B



TBG07001B

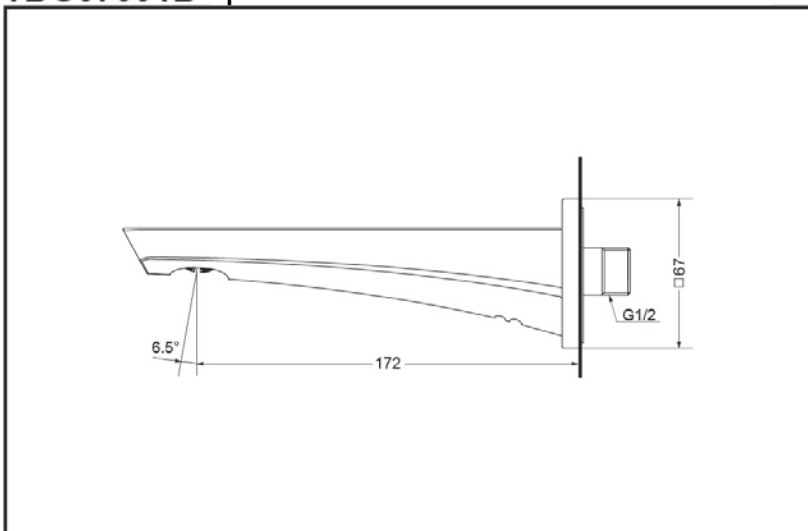
### FEATURES

- Elegant appearance.
- Beautiful curves reveal elegant taste.

### SPECIFICS

Water Inlet Requirement :  
0.05MPa(Dynamic  
Pressure)~1.0MPa(Static  
Pressure)

### TBG07001B Spout



\*TOTO(CHINA) CO.,LTD. All rights reserved.

### Others

Series : GE