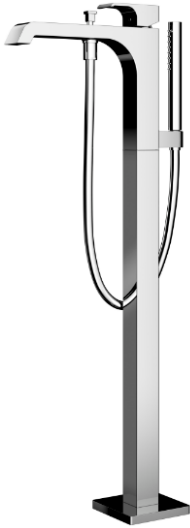


# TOTO

## Floor standing Tub Filler(W/ Hand Shower)

TBG08306B



Comfort  
Glide



Comfort Water Saving  
Wave



TBG08306B

TBN01105B

### FEATURES

- Elegant appearance.
- Classical shape and wide water flow reveal elegant taste.
- Easy installation and usage.

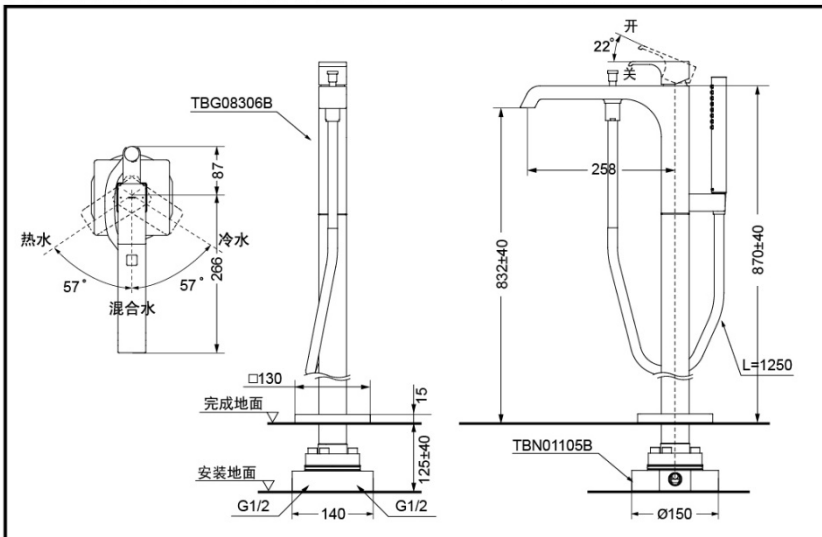
### SPECIFICS

**Water Inlet Requirement:**  
0.05MPa(Dynamic Pressure)~1.0MPa(Static Pressure)

**Water Efficiency:**  
Grade2(Hand Shower)

### Floor standing Tub Filler(W/ Hand Shower)

TBG08306B+TBN01105B



\*TOTO(CHINA) CO.,LTD. All rights reserved.

### Others

Series: GC