

TLP02309B1
(W/O pop-up waste)

TLP02310B1
(W/O pop-up waste)



FEATURES

- Elegant appearance.
- Beautiful curves and wide flow reveal elegant taste.
- Easy installation and usage.

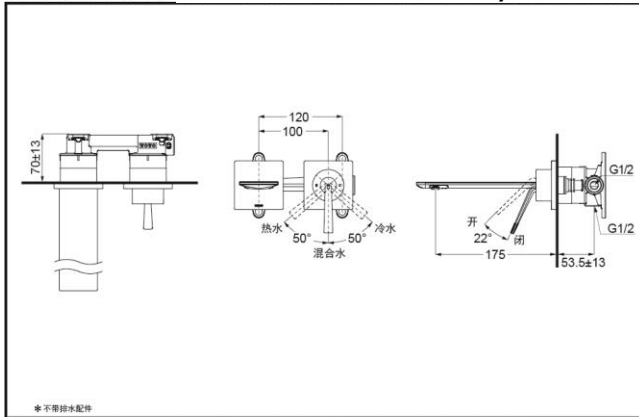


Comfort
Glide



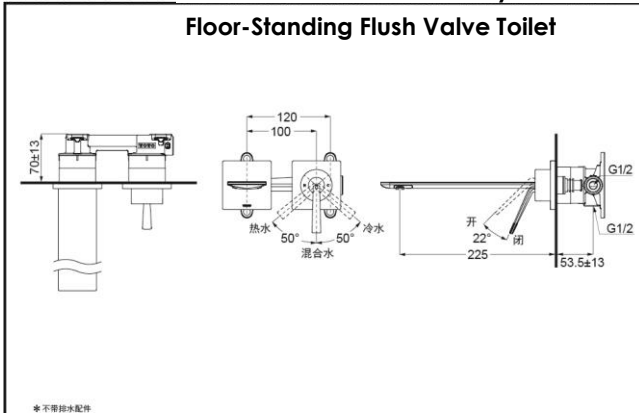
Reduce The
Water
Technology

TLP02309B1 Wall-Mounted Lavatory Faucet



TOTO(CHINA) CO.,LTD. All rights reserved.

TLP02310B1 Wall-Mounted Lavatory Faucet



TOTO(CHINA) CO.,LTD. All rights reserved.
TOTO(CHINA) CO.,LTD. www.toto.com.cn

SPECIFICS

Water Inlet Requirement:
0.05MPa(Dynamic Pressure)~
1.0MPa(Static Pressure)
Water Efficiency: Grade1

OTHERS

Series: ZL