

TOTO

Single-Lever Lavatory Faucet

TLP02307B1

TLP02308B1

TLP02307B1
(W/ pop-up waste)

TLP02308B1
(W/O pop-up waste)

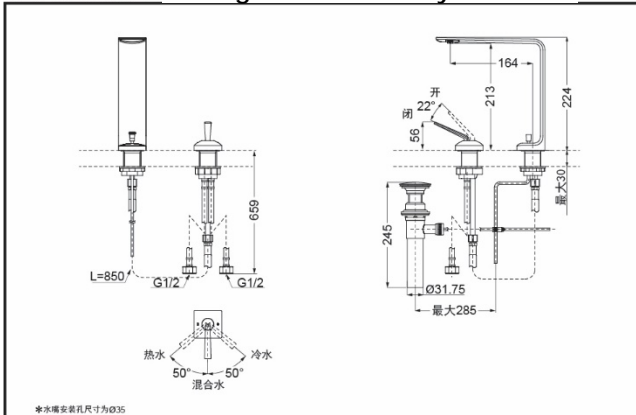


Comfort
Glide



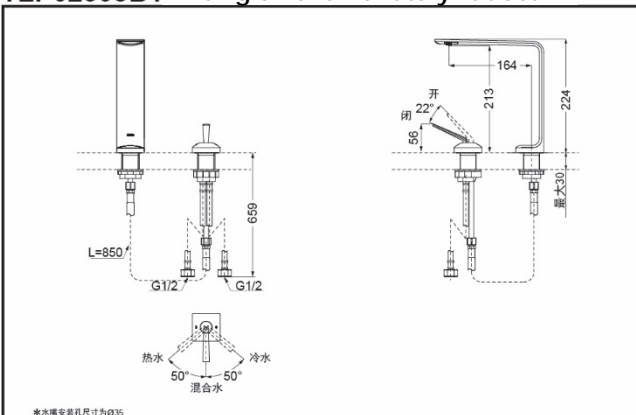
Reduce The
Water
Technology

TLP02307B1 Single-Lever Lavatory Faucet



TOTO(CHINA) CO.,LTD. All rights reserved.

TLP02308B1 Single-Lever Lavatory Faucet



TOTO(CHINA) CO.,LTD. All rights reserved.

TOTO(CHINA) CO.,LTD. www.toto.com.cn

FEATURES

- Elegant appearance.
- Stainless steel material, ultra-thin faucet edge for only 3mm.Beautiful curves by seamless welding and wide flow reveal elegant taste.
- Easy installation and operation.

SPECIFICS

Water Inlet Requirement :
0.05MPa(Dynamic Pressure)~
1.0MPa(Static Pressure)
Water Efficiency : Grade1

OTHERS

Series: ZL