

TLS02305B
(W/ pop-up
waste)



TLS02306B
(W/O pop-up
waste)



Reduce The
Water
Technology

FEATURES

- Elegant appearance.
- Beautiful curves reveal elegant taste.
- Unique aerial technology , smooth and moderate flow presents more comfort experience and saves water as well.

SPECIFICS

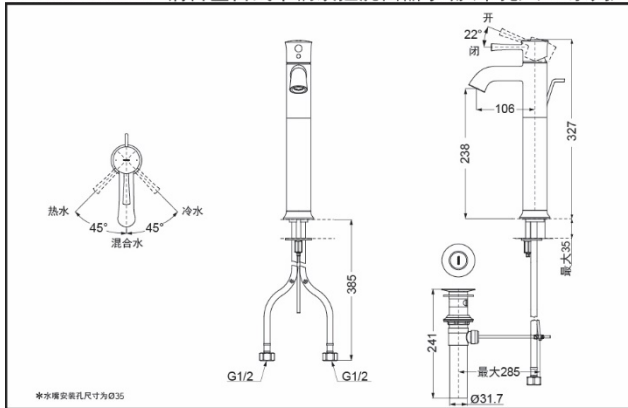
Water Inlet Requirement :
0.05MPa(Dynamic
Pressure)~1.0MPa(Static
Pressure)

Water Efficiency : Grade1
Spout : Bubbler equipped

Others

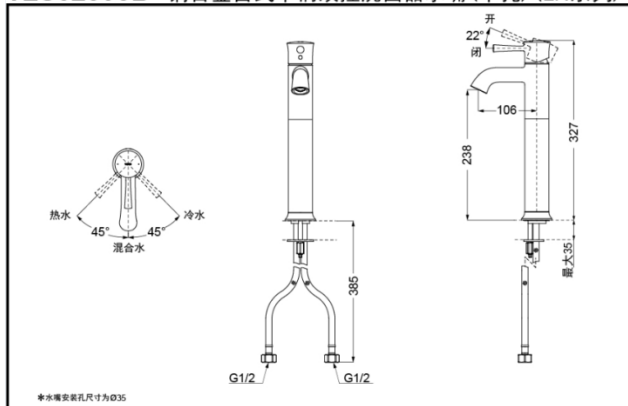
Series : LN

TLS02305B 铜合金台式单柄双控洗面器水嘴(单孔)(LN系列)



*TOTO公司保留对其产品规格和尺寸更改的权利。届时，恕不另行通知。

TLS02306B 铜合金台式单柄双控洗面器水嘴(单孔)(LN系列)



*TOTO公司保留对其产品规格和尺寸更改的权利。届时，恕不另行通知。