

TBS02303B
(On/Off Switch)

TBS02304B
(2Modes,On/Off
Switch)



FEATURES

- Elegant appearance.
- Beautiful curves reveal elegant taste.
- Easy installation and usage.

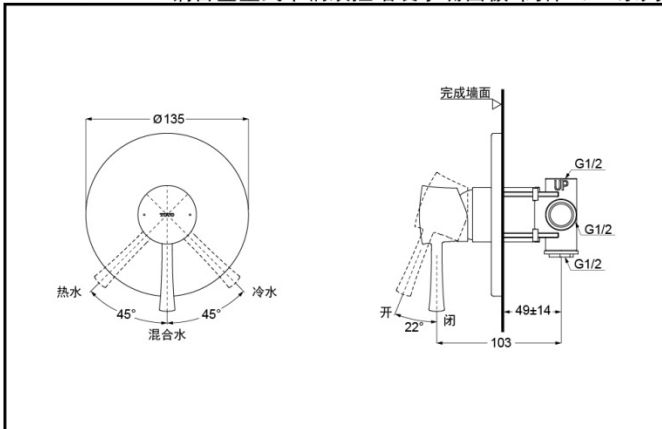
SPECIFICS

Water Inlet Requirement :
0.05MPa(Dynamic
Pressure)~1.0MPa(Static
Pressure)

Others

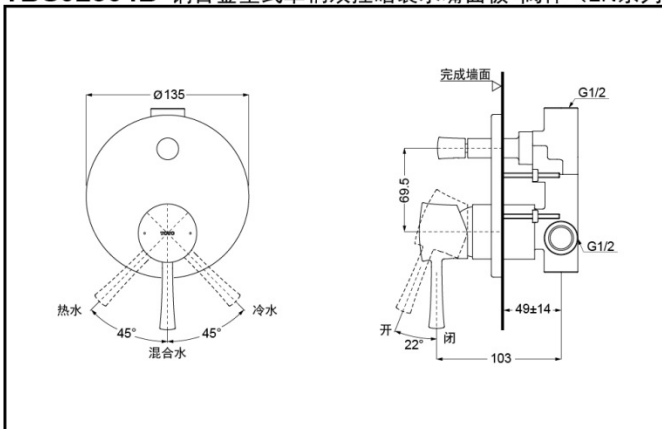
Series : LN
Recommend fittings :
LN series Shower

TBS02303B Wall-Mount Mixer/Valve



*TOTO(CHINA) CO.,LTD. All rights reserved.

TBS02304B Wall-Mount Mixer/Valve



*TOTO(CHINA) CO.,LTD. All rights reserved.