

TBS03001B

TBS03001B



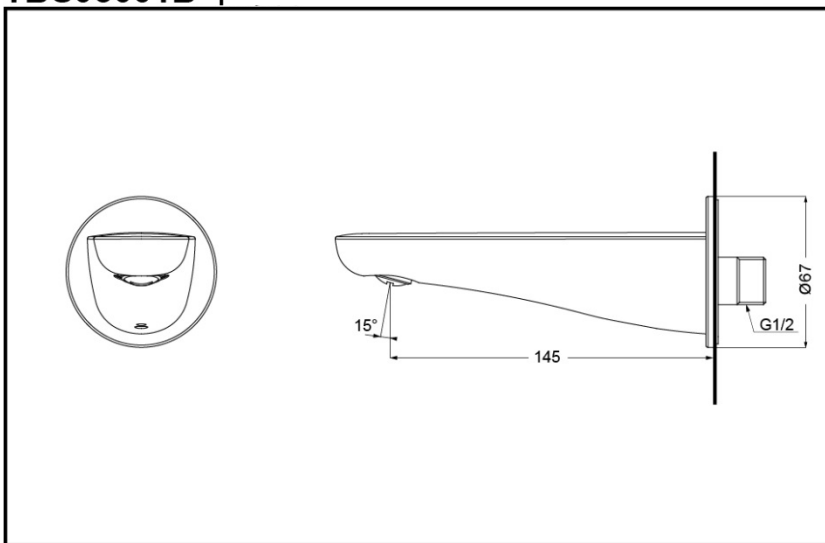
FEATURES

- Elegant appearance.
- Beautiful curves reveal elegant taste.
- Easy installation and usage.

SPECIFICS

Water Inlet Requirement :
0.05MPa(Dynamic
Pressure)~1.0MPa(Static
Pressure)

TBS03001B Spout



*TOTO(CHINA) CO.,LTD. All rights reserved.

Others

Series : LC、LF