

TLS01201BA
(W/ pop-up waste)



**Reduce The
Water
Technology**

FEATURES

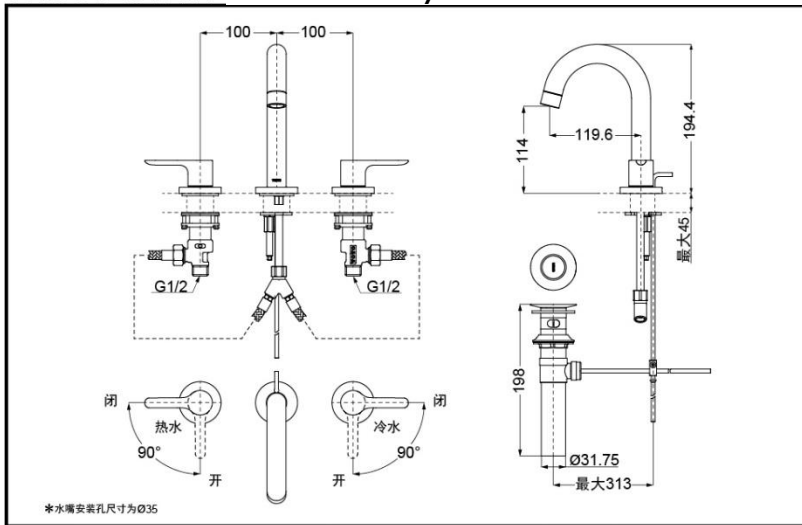
- Elegant appearance.
- Beautiful curves reveal elegant taste.
- Unique aerial technology , smooth and moderate flow presents more comfort experience and saves water as well.

SPECIFICS

Water Inlet Requirement:
0.05MPa(Dynamic Pressure)~1.0MPa(Static Pressure)

Water Efficiency: Grade1
Spout: Bubbler equipped

TLS01201BA 3 Holes Lavatory Faucet



Others

Series: LB

*TOTO(CHINA) CO.,LTD. All rights reserved.