

TLS01101B
(W/O pop-up
waste)



Reduce The
Water
Technology

FEATURES

- Elegant appearance.
- Beautiful curves reveal elegant taste.
- Easy installation and usage.
- Unique aerial technology , smooth and moderate flow presents more comfort experience and saves water as well.

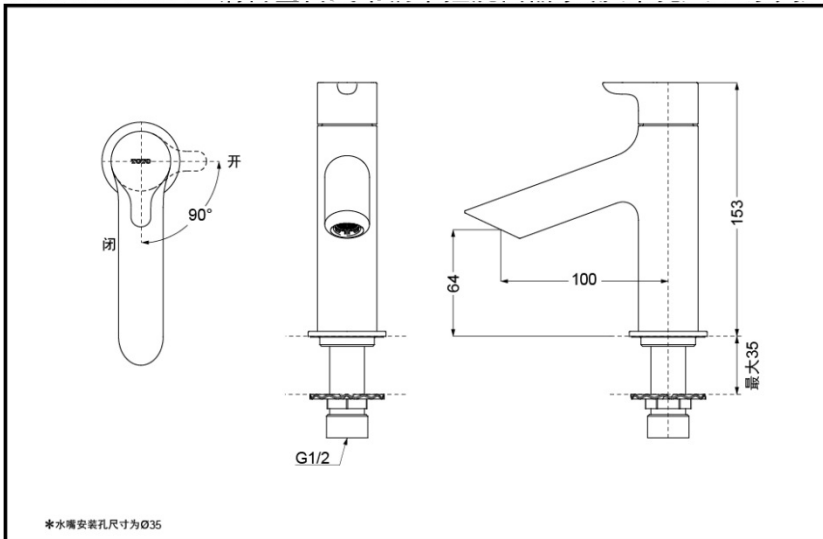
SPECIFICS

Water Inlet Requirement :
0.05MPa(Dynamic
Pressure)~1.0MPa(Static
Pressure)

Water Efficiency : Grade1
Spout : Bubbler equipped

Single-Lever Single-Cold Lavatory Faucet

TLS01101B (W/O pop-up waste)



*TOTO(CHINA) CO.,LTD. All rights reserved.

Others

Series : LB