

TBS02001B



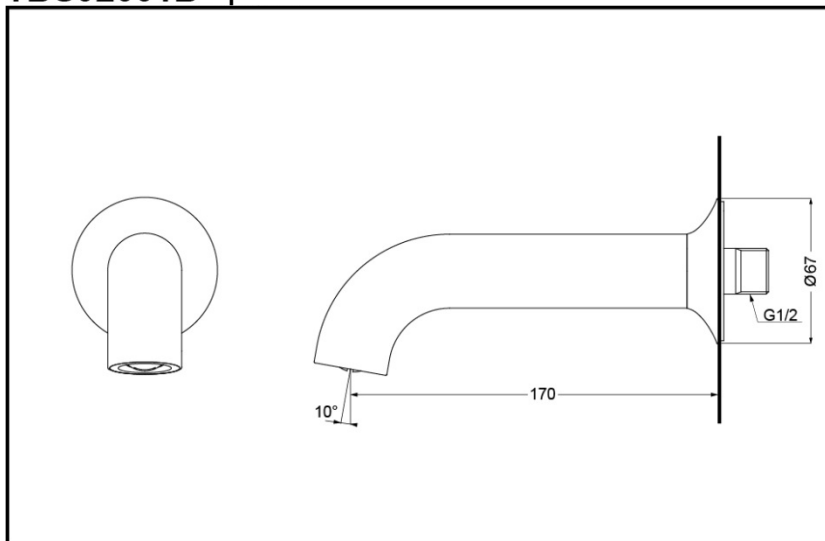
FEATURES

- Elegant appearance.
- Beautiful curves reveal elegant taste.

SPECIFICS

Water Inlet Requirement :
 0.05MPa(Dynamic
 Pressure)~1.0MPa(Static
 Pressure)

TBS02001B Spout



*TOTO(CHINA) CO.,LTD. All rights reserved.

Others

Series : LN、LB