

TBS01201BA



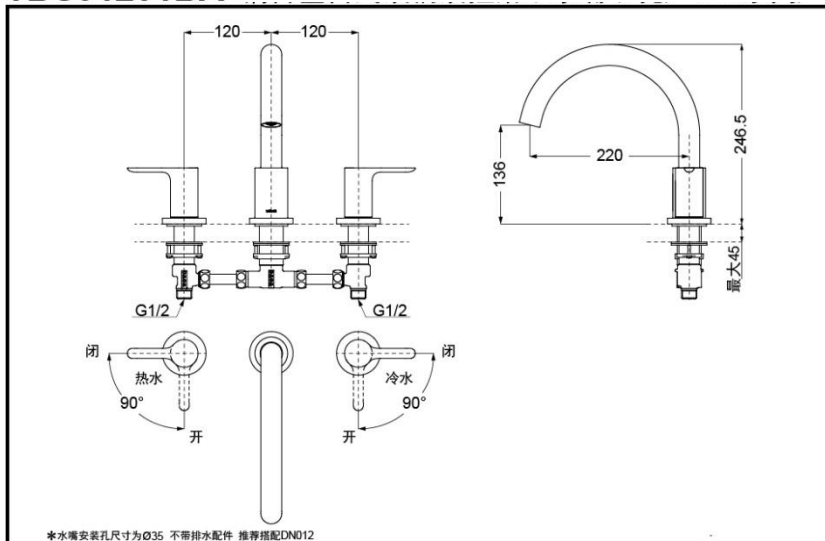
FEATURES

- Elegant appearance.
- Beautiful curves reveal elegant taste.
- Easy installation and usage.

SPECIFICS

Water Inlet Requirement:
0.05MPa(Dynamic Pressure)~1.0MPa(Static Pressure)

TBS01201BA Deck-Mount Tub Filler



*TOTO(CHINA) CO.,LTD. All rights reserved.

Others

Series: LB