

TLN01101G



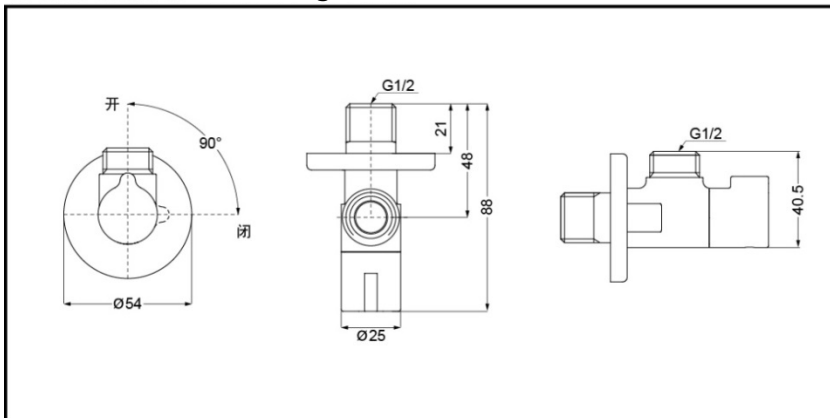
FEATURES

- Easy installation and usage.

SPECIFICS

Water Inlet Requirement :
0.05MPa(Dynamic
Pressure)~1.0MPa(Static
Pressure)

TLN01101G Wall-Hung Hand Shower



*TOTO(CHINA) CO.,LTD. All rights reserved.

Others