

# TOTO

## Wall-Mount Thermostatic Mixer/Valve Cartridge + Box

TBV01407B  
(On/Off Switch)

Univalve Box  
TBN01001B



Safety  
Thermo



Mini Unit

TBV01407B  
TBN01001B

### FEATURES

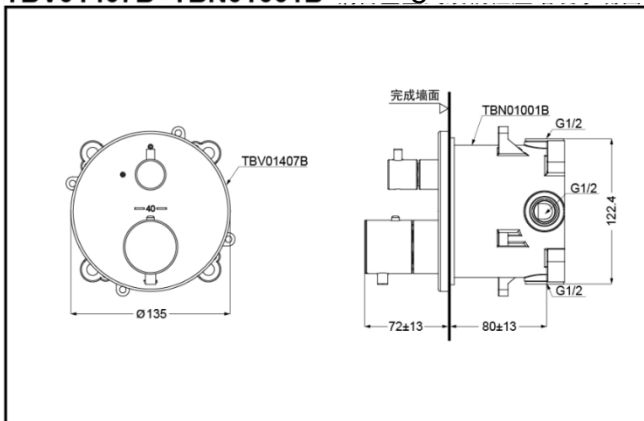
- Elegant appearance.
- Beautiful curves reveal elegant taste.
- Easy installation and usage.

### SPECIFICS

Water Inlet Requirement :  
0.05MPa(Dynamic  
Pressure)~1.0MPa(Static  
Pressure)

### Wall-Mount Thermostatic Mixer/Valve

TBV01407B+TBN01001B Cartridge + Box



\*TOTO(CHINA) CO.,LTD. All rights reserved.

### Others

Series : G  
Recommend fittings :  
G series Shower