

TBV01402BA

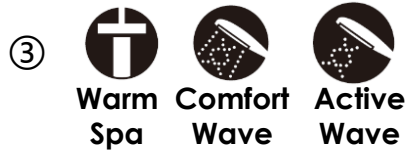
TBW02005B

TBW02006B
(3Modes)

①TBV01402BA

②TBW02005B

③TBW02006B



FEATURES

- SMA technology for valve.
- Elegant appearance.
- Beautiful curves reveal elegant taste.
- Easy installation and usage.

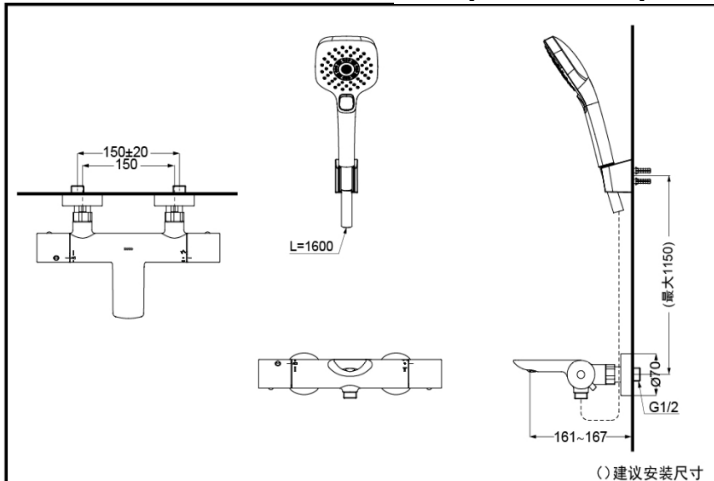
SPECIFICS

Water Inlet Requirement:
0.05MPa(Dynamic Pressure)~0.59MPa(Static Pressure)

Water Efficiency: Grade2

Wall-Mount Bath & Shower

TBV01402BA+TBW02006B Mixer(Thermostatic)



*TOTO(CHINA) CO.,LTD. All rights reserved.

Others

Series: G

Recommend fittings : G series
Hand Shower