

TBV01401BA

TBW01008B

TBW01010B
(3Modes)

①TBV01401BA

②TBW01008B

③TBW01010B



FEATURES

- SMA technology for valve.
- Elegant appearance.
- Beautiful curves reveal elegant taste.
- Easy installation and usage.

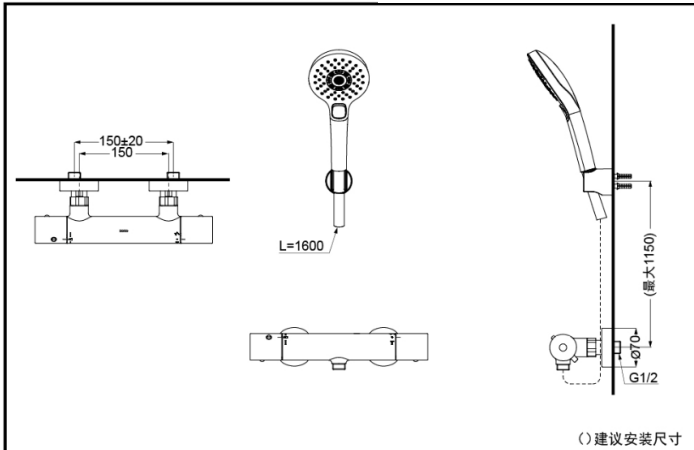


SPECIFICS

Water Inlet Requirement:
0.05MPa(Dynamic Pressure)~0.59MPa(Static Pressure)

Water Efficiency: Grade2

TBV01401BA+TBW01010B Wall-Mount Shower Mixer(Thermostatic)



*TOTO(CHINA) CO.,LTD. All rights reserved.

Others

Series: G

Recommend fittings : G series
Hand Shower