

TOTO

Wall-Mount Shower

DBX134CA



DB359



DBS107



Reduce
The Water



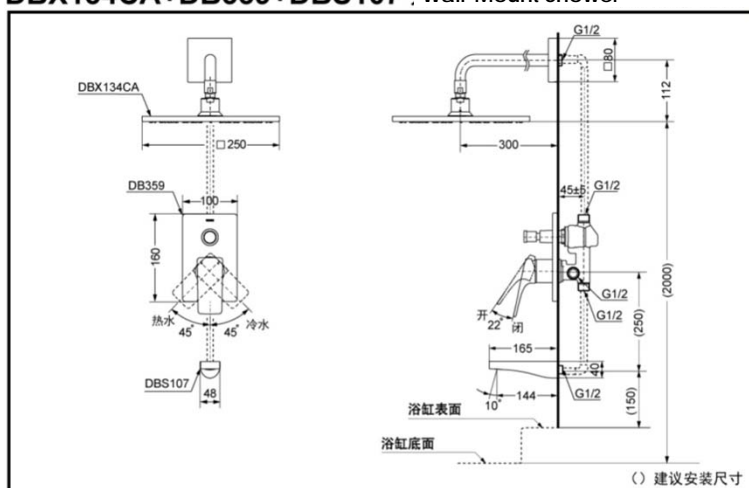
Aerial

DBX134CA
DB359
DBS107

FEATURES

- Elegant appearance
- Beautiful curve with outstanding quality
- Easy installation, user-friendly

DBX134CA+DB359+DBS107 , Wall-Mount Shower



*TOTO(CHINA) CO.,LTD. All rights reserve.

SPECIFICS

Water Supply:
0.05MPa(dynamic pressure) ~
0.75MPa(static pressure)