

DLB309

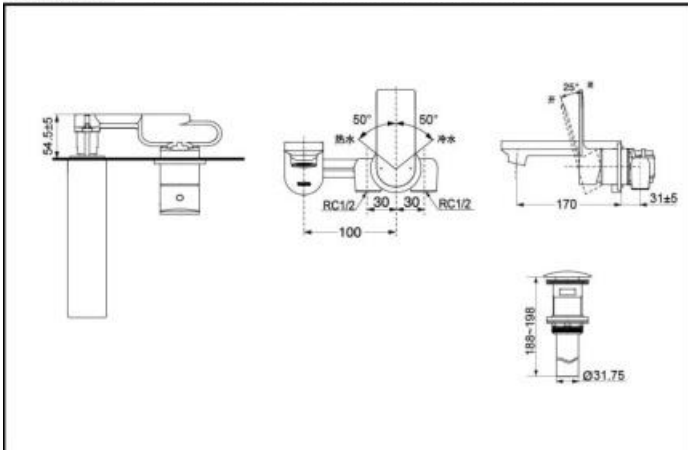
DLB309-1



Reduce  
The Water

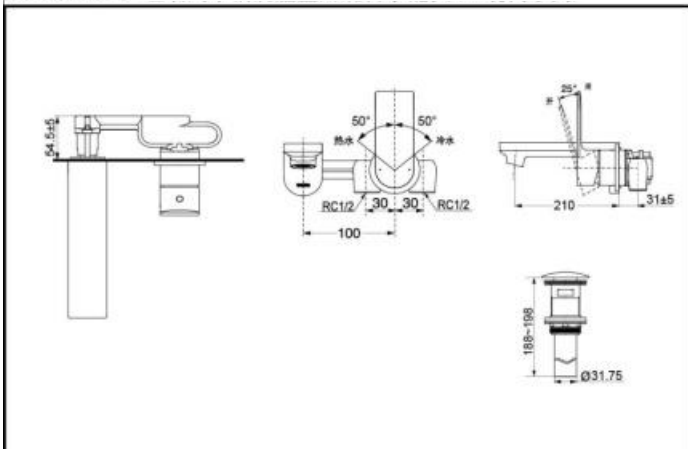
Wall-Mounted Single-Handle Lavatory Mixer  
(CI Contemporary Series)

**DLB309**



Wall-Mounted Single-Handle Lavatory Mixer  
(CI Contemporary Series)

**DLB309-1**



### FEATURES

- Simple clean design with vertical and horizontal lines.
- Harmonized with the room of floor, wall and ceiling
- Unique aerial technology offers a comfortable experience with smooth water flow which maintains the strength while keeps soft touch with a low consumption.

### SPECIFICS

Water Supply:  
0.05MPa(dynamic pressure)~  
0.75MPa(static pressure)

### OTHERS

Series: CI Contemporary Series