

DL349-1E

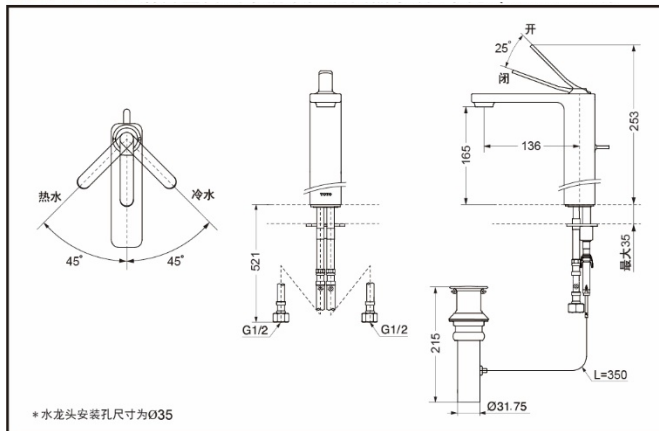


**Reduce
TheWater**



Aerial

DL349-1E Single-handle Lavatory Faucet



*TOTO(CHINA) CO.,LTD. All rights reserve.

(waste included)

FEATURES

- Electroplating surfaces manufactured with delicate technology create a perfect mirror effect.
- Simple handles are quite easy to operate.
- Bubble water spout out of the faucet in a beautiful curve with no splash
- Durable ceramic disk valve cartridge
- Aerial shower technology with a low consumption.

SPECIFICS

Water Supply :

0.05MPa(dynamic pressure) ~
0.75MPa(static pressure)

OTHERS

Series : Renesse Series