

TRP02301B



Comfort
Glide



Reduce The
Water
Technology

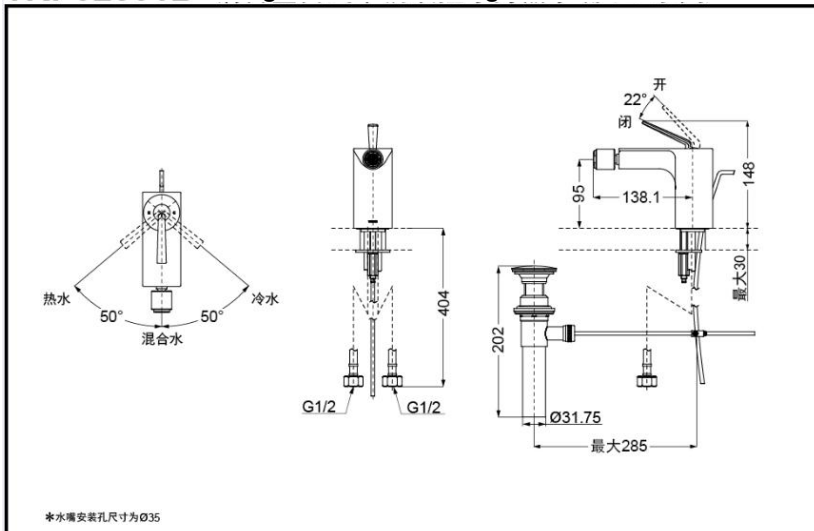
FEATURES

- Elegant appearance.
- Beautiful curves and wide flow reveal elegant taste.
- Easy installation and usage.

SPECIFICS

Water Inlet Requirement:
0.05MPa(Dynamic Pressure)~
1.0MPa(Static Pressure)
Water Efficiency: Grade 1

TRP02301B Single-Handle and Single-Hole Bidet Faucet



TOTO(CHINA) CO.,LTD. All rights reserved.

OTHERS

Series: ZL