

TBW03001B
(5 Modes)



FEATURES

- Elegant appearance.
- Beautiful curves reveal elegant taste.
- Easy installation and usage.

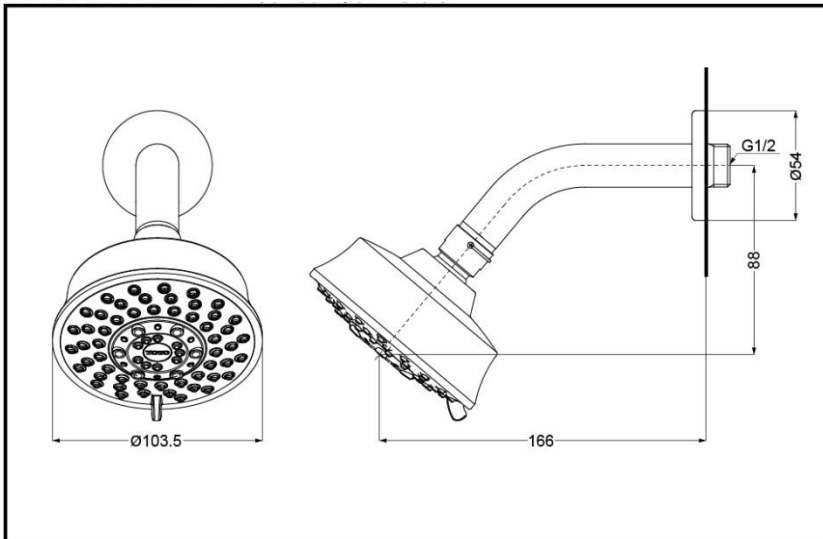
SPECIFICS

Size: $\phi 103.5\text{mm}$

Water Inlet Requirement:
0.05MPa(Dynamic Pressure)
~0.75MPa(Static Pressure)

Water Efficiency: Grade3

TBW03001B Wall-Mount Shower Head



*TOTO(CHINA) CO.,LTD. All rights reserved.

Others

Series: L

Recommend fittings :
L series Shower