

**TBW01013B**  
**(5 Modes)**



### FEATURES

- Elegant appearance.
- Beautiful curves reveal elegant taste.
- Easy installation and usage.

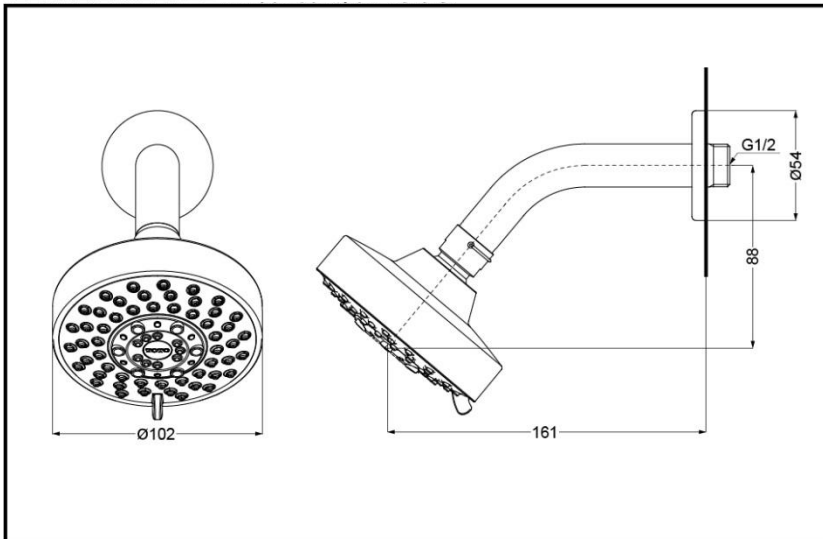
### SPECIFICS

Size:  $\phi 102\text{mm}$

Water Inlet Requirement:  
0.05MPa(Dynamic  
Pressure)~0.75MPa(Static  
Pressure)

Water Efficiency: Grade3

### TBW01013B Wall-Mount Shower Head



\*TOTO(CHINA) CO.,LTD. All rights reserved.

### Others

Series: L  
Recommend fittings :  
L series Shower