

TBG11306B



Comfort
Glide



Comfort Water Saving
Wave



FEATURES

- Elegant appearance.
- Beautiful curves reveal elegant taste.
- Easy installation and usage.

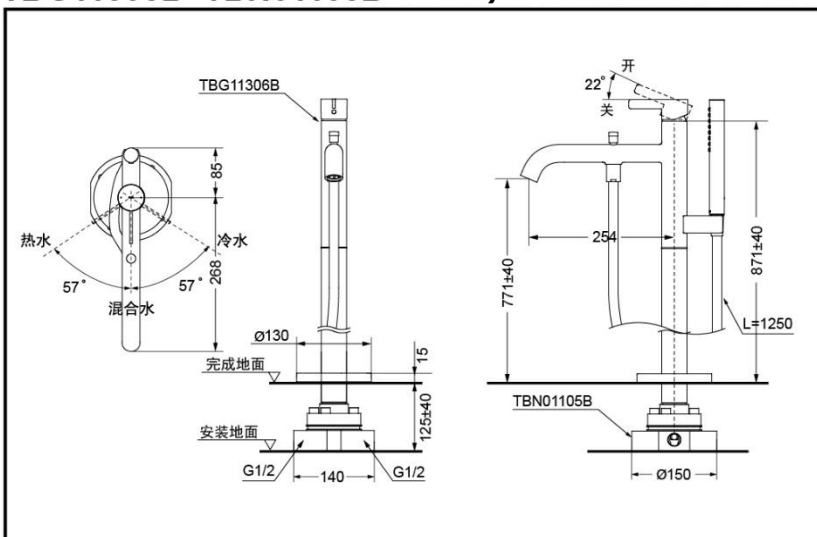
SPECIFICS

Water Inlet Requirement:
0.05MPa(Dynamic Pressure)~1.0MPa(Static Pressure)

Water Efficiency:
Grade3(Hand Shower)

Floor standing Tub Filler(W/ Hand Shower)

TBG11306B+TBN01105B Shower)



*TOTO(CHINA) CO.,LTD. All rights reserved.

Others

Series: GF