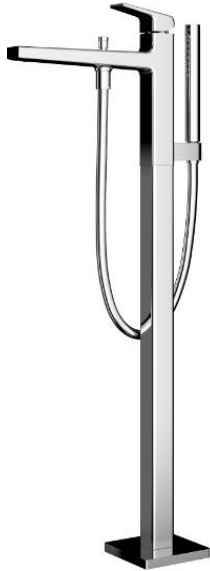


TBG10306B



Comfort
Glide



Comfort Water Saving
Wave



FEATURES

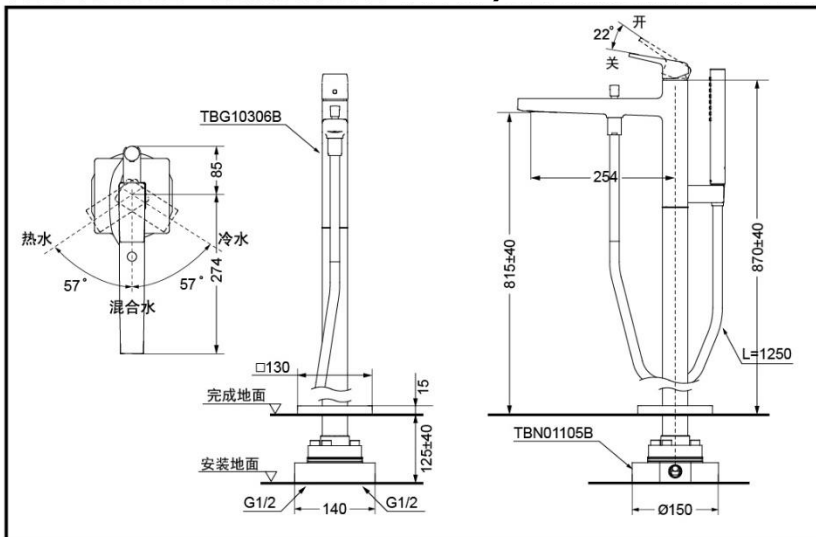
- Elegant appearance.
- Beautiful curves reveal elegant taste.
- Easy installation and usage.

SPECIFICS

Water Inlet Requirement:
0.05MPa(Dynamic Pressure)~1.0MPa(Static Pressure)

Water Efficiency:
Grade3(Hand Shower)

Floor standing Tub Filler(W/ Hand Shower) TBG10306B+TBN01105B Shower



*TOTO(CHINA) CO.,LTD. All rights reserved.

Others

Series: GB