

TBG02305C

TBG02305C



Comfort
Wave

FEATURES

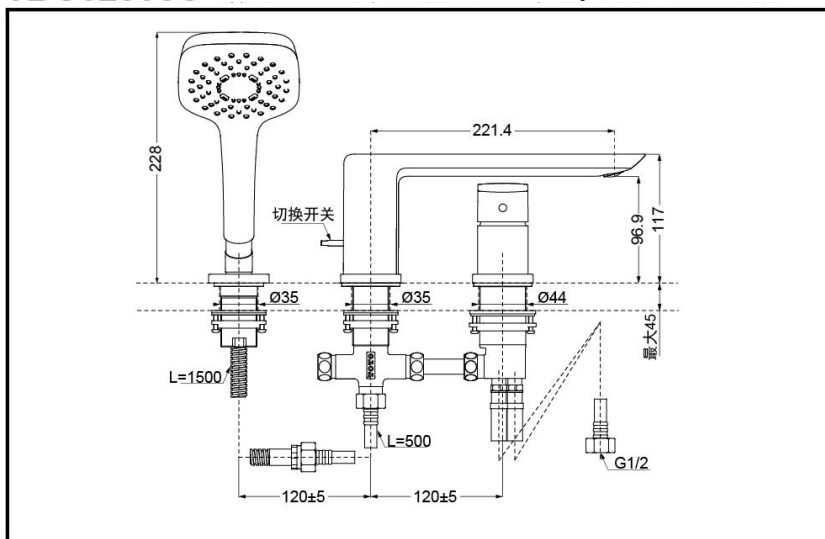
- Elegant appearance.
- Beautiful curves reveal elegant taste.
- Easy installation and usage.

SPECIFICS

Water Inlet Requirement:
0.05MPa(Dynamic
Pressure)~1.0MPa(Static
Pressure)

Water Efficiency:
Grade2(Hand Shower)

TBG02305C Deck-Mount Tub Filler (W/ Hand Shower)



*TOTO(CHINA) CO.,LTD. All rights reserved.

Others

Series: GR