

TBG01001B



TBG01001B

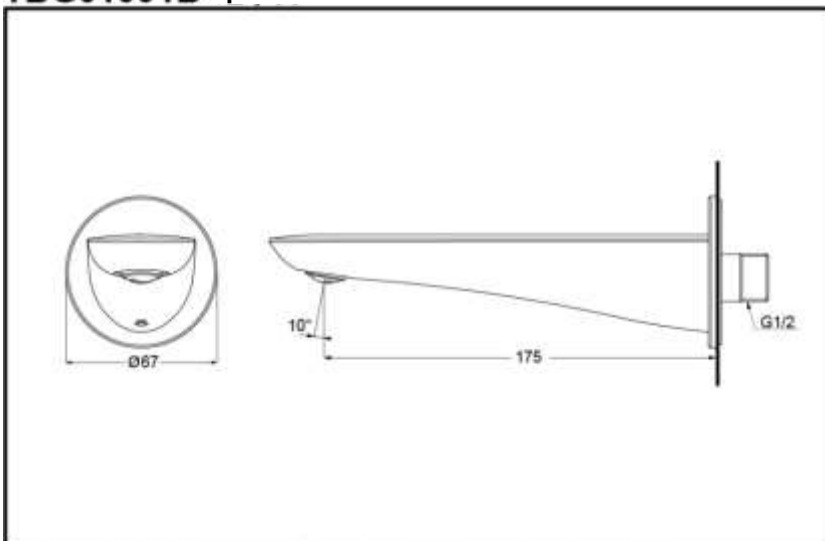
### FEATURES

- Elegant appearance.
- Beautiful curves reveal elegant taste.
- Easy installation and usage.

### SPECIFICS

Water Inlet Requirement :  
0.05MPa(Dynamic  
Pressure)~1.0MPa(Static  
Pressure)

TBG01001B Spout



\*TOTO(CHINA) CO.,LTD. All rights reserved.

### Others

Series : GO、GS