

施工说明书 Installation Manual

安装产品前请仔细阅读本施工说明书，并保留备用。
Before installing the product, please read the Installation Manual carefully and keep it for future reference.

TOTO

TOTO



安装完成后，本说明书务必交由客户保存。
After installation, the manual must be kept by the customer.

0G268G(D)
2023.07

目录

目 录

目录.....	1
明细单.....	2
使用条件.....	3
施工上的注意与保养.....	4
安装完成图.....	5-7
花洒的安装.....	8-9
生产厂家与销售商.....	10

TOTO Asia Oceania Pte. Ltd.

Telephone: 65-6744-6955

FAX: 65-6841-0819

Address: 10 Eunos Road 8 #12-07 Singapore Post Centre
Singapore 408600

Website: asia.toto.com

TOTO KOREA LTD.

전화번호 : (02)-3141-8236

FAX 번호 : (02)-3141-8240

주소 : 서울시 마포구 상수동 351-16번지 로이코빌딩 3층

홈페이지 : <https://kr.toto.com/>

明细单

明细单

淋浴软管.....1根

手持花洒.....1个

淋浴支架.....1套
(含固定螺丝包)

施工说明书.....1本

使用说明书.....1本

使用此明细单的产品包括:

TBW01017* 单功能手持花洒 (浴室淋浴用)

TBW01018* 五功能手持花洒 (浴室淋浴用)

TBW03002* 五功能手持花洒 (浴室淋浴用)

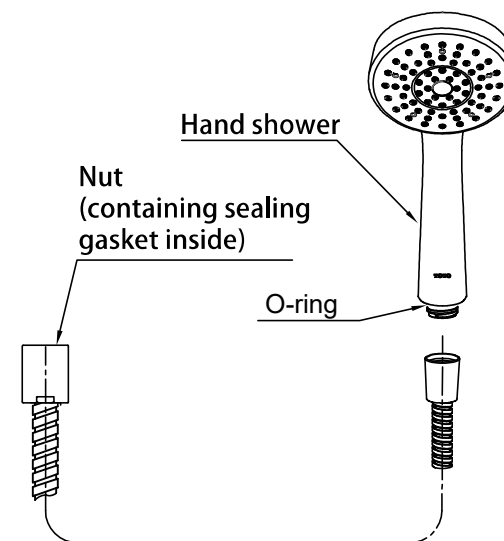
Shower installation

2. Shower hose installation

- (1) Confirm if any sealing gasket exists in the nut;
- (2) Confirm if any O-ring exists in the shower part;
- (3) Connect the hose with the screw threads of the water nozzle part, as shown in figure 2.

Attention: Please tighten the connection sufficiently to prevent water leakage.

Example: TBW01017* series shower

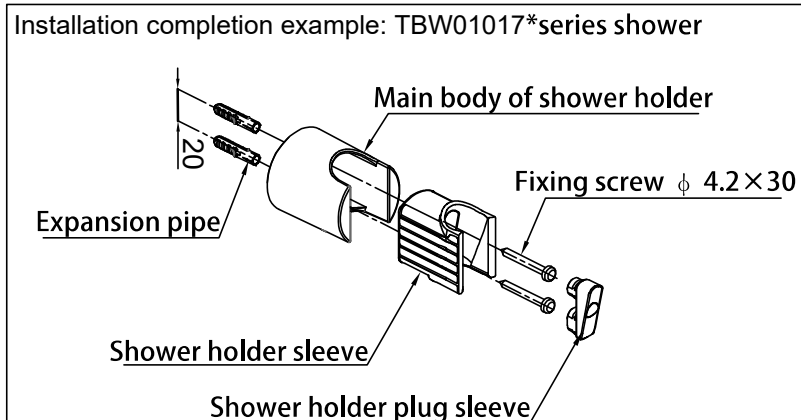


The series are the same as the above figure

Figure 2: Shower hole installation

Shower installation

1. The installation of shower holder is as shown in Figure 1:



- (1) Cut two holes at a spacing of 20mm on the wall along the vertical direction against the installation hole dimension on the shower holder;
- (2) Force the expansion pipe into the hole;
- (3) Insert the shower holder sleeve into the main body of the shower holder and place on the wall where a hole is prepared beforehand. Then fasten with fixing screws;
- (4) Then install the shower holder plug sleeve.

Figure 1. Installation of shower holder

使用条件

使用条件

1. 手持花洒需配合水龙头使用。
2. 供冷水*供热水压力:
最低压力……………0.05MPa(流动压)
最高压力……………0.5MPa(流动压)
推荐使用压力……………0.1~0.5MPa(流动压)
检测压力……………0.5MPa(流动压)
3. 供热水温度不得超过70℃，建议使用温度60℃，供热水请勿使用蒸汽。
4. 使用环境温度0℃以上，如果不高于0℃，手持花洒会出现变形、冻裂等现象。
5. 为防止花洒内部损坏，花洒吐水时温度不得超过60℃，建议使用温度45℃以下。
6. 为了达到最好的安装与使用效果，手持系列花洒推荐与「TOTO」水嘴一起配套使用。
7. 安装时，淋浴支架与水嘴本体中心距离最大为1150mm。
8. 长时间不使用时，可能导致花洒内部及外部锈蚀不能使用等现象。
9. 如果您需要废弃本产品，请勿将其作为一般生活垃圾处理，请依照法规经由独立的回收体系进行合适的处理、恢复和回收。
10. 本说明书的产品具有清洗功能。

施工上的注意与保养

施工上的注意

- △警告 表示如果无视此标志而误操作时，有可能造成人员重伤或死亡。
- △注意 表示如果无视此标志而误操作时，有可能造成人身伤害或财产损失。

警告

- 1.水嘴的供热水一侧处于高温状态，请勿使皮肤直接接触五金配件表面，否则可能会烫伤。
- 2.请勿配反冷*热水配管，否则可能会烫伤。
- 3.供热水请勿使用蒸汽，否则可能会烫伤。

注意

- 1.请勿撞击本产品，否则可能会造成故障、漏水。
- 2.随着产品式样的不断更新，实物可能与图示不符，但基本原理相同。
- 3.在可能结冰的场所使用时，要切实做好防冻措施。
由于结冰，零件破损，有可能导致漏水，造成财产损失。因结冰而造成的破损即使在保修期内也是有偿修理。请不要让产品的温度低于0℃。

防冻措施

在可能结冰的场所使用时，要切实做好防冻措施。

- 1.产品结冰的话零件损坏，成为漏水的原因。
- 2.因结冰造成的零件损坏即使在保修期内也是有偿修理。
- 3.施工完了后或长时间不使用时，要有预防突然降温的准备，要对产品进行结冰预防。
- 4.因为有结冰的危险，请不要让产品周围的温度在0℃以下。

保养

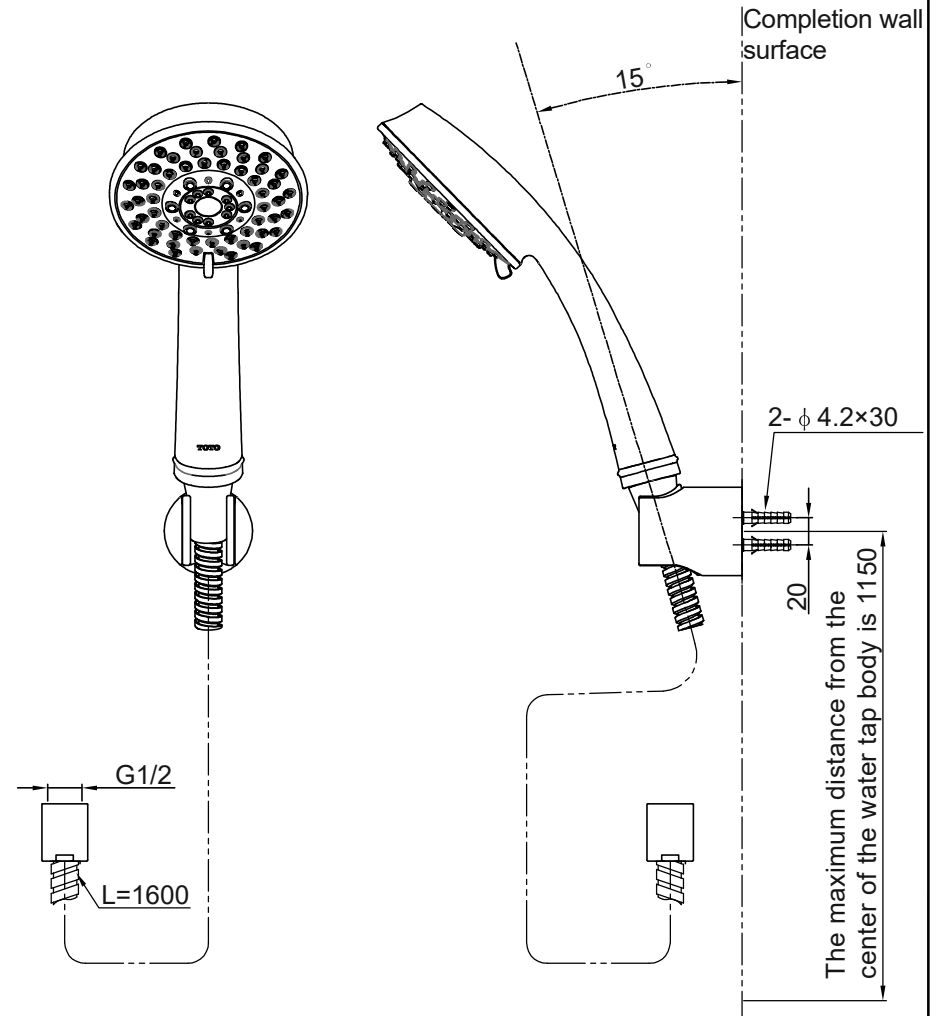
为长期保持产品的美观，请用户按以下方法维护保养。

- 1.经常用软布擦拭或用软布蘸水擦拭。
- 2.当有污垢且较明显时，请用中性洗涤剂擦拭后充分进行水洗。
- 3.不得使用洁厕粉、去污粉、机油、辛那水、强酸、强碱性洗涤剂或含颗粒物质的洗涤剂、尼龙刷子来清洁本产品。

Installation completion figure

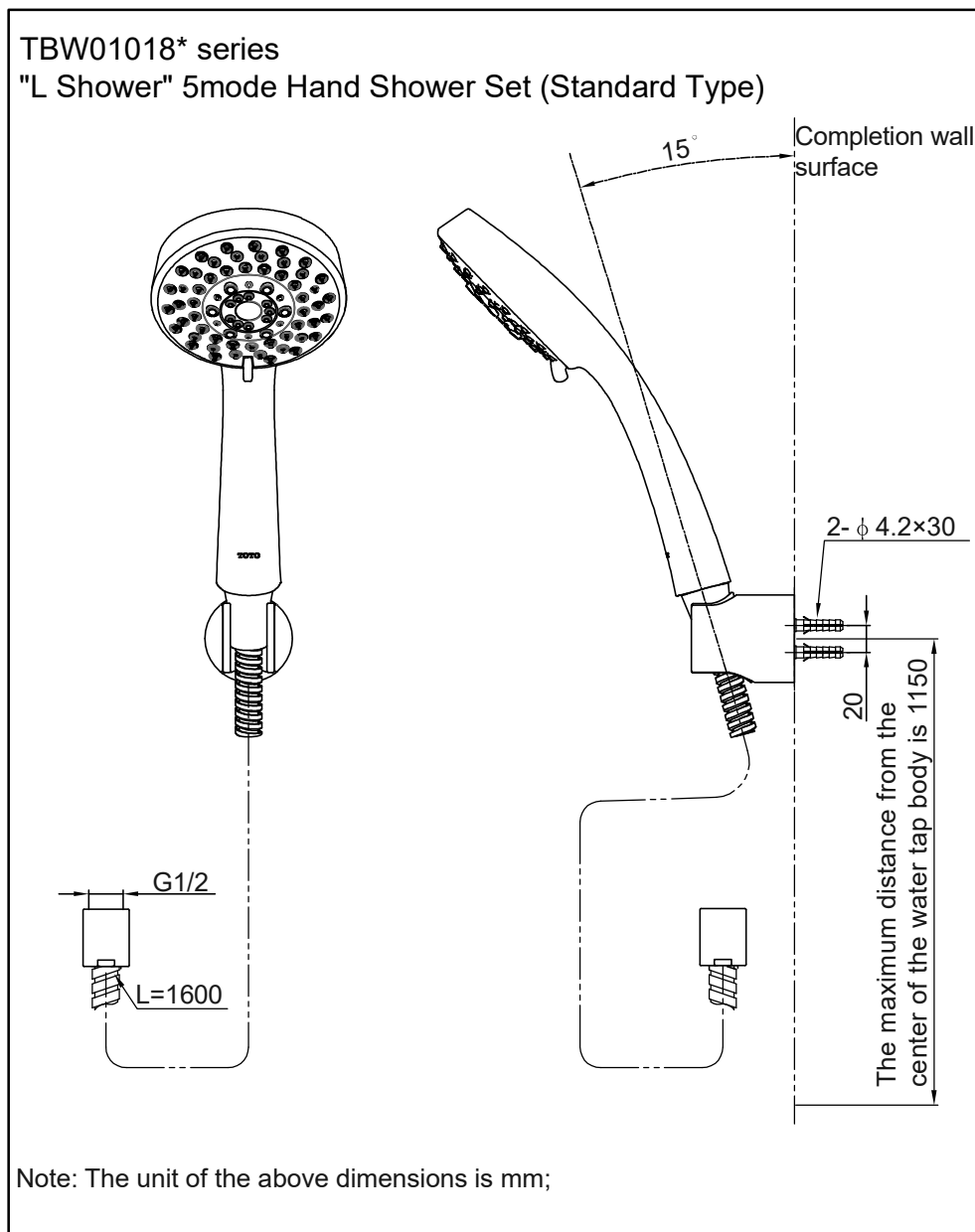
TBW03002* series

"L Shower" 5mode Hand Shower Set (Classic Type)

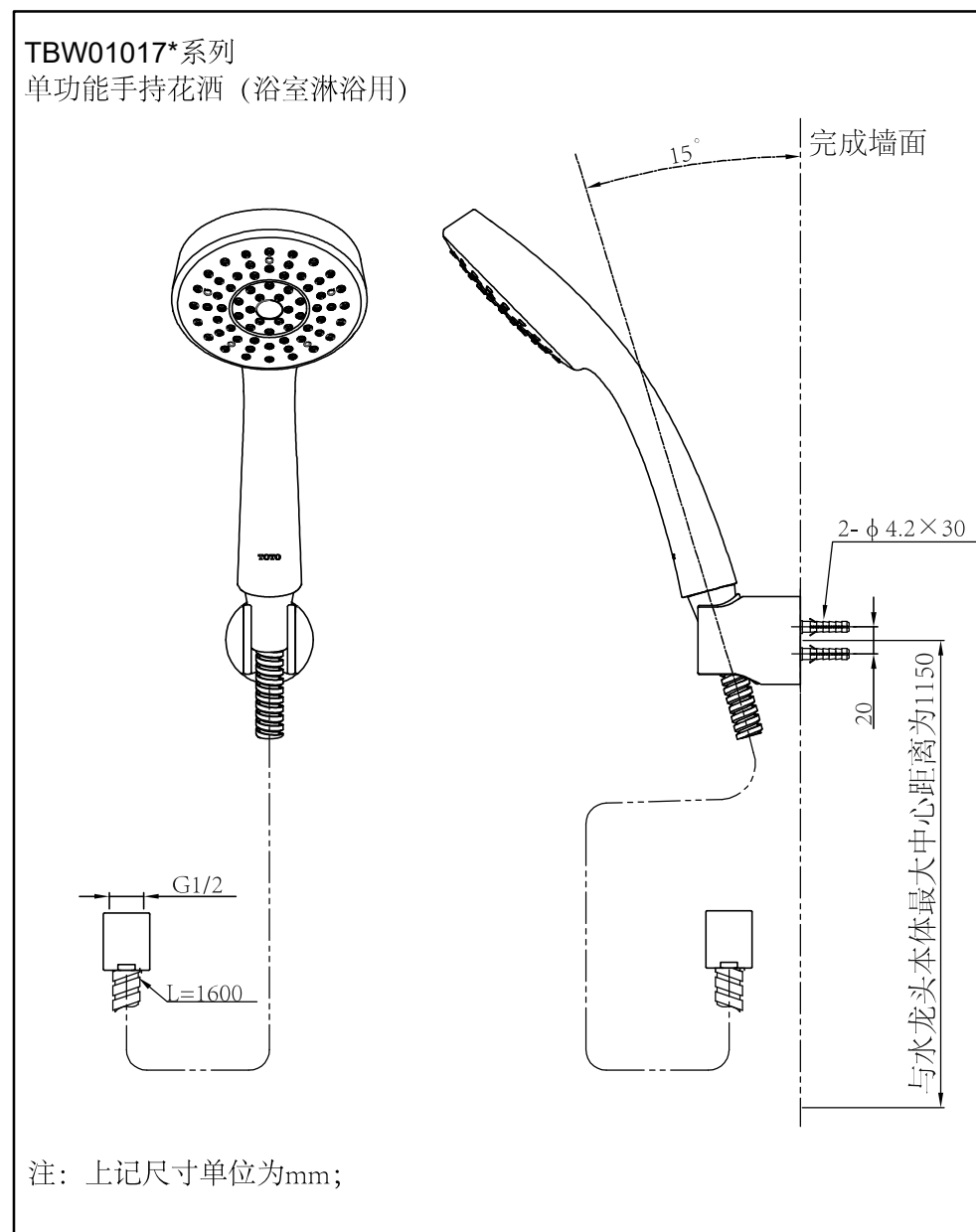


Note: The unit of the above dimensions is mm;

Installation completion figure

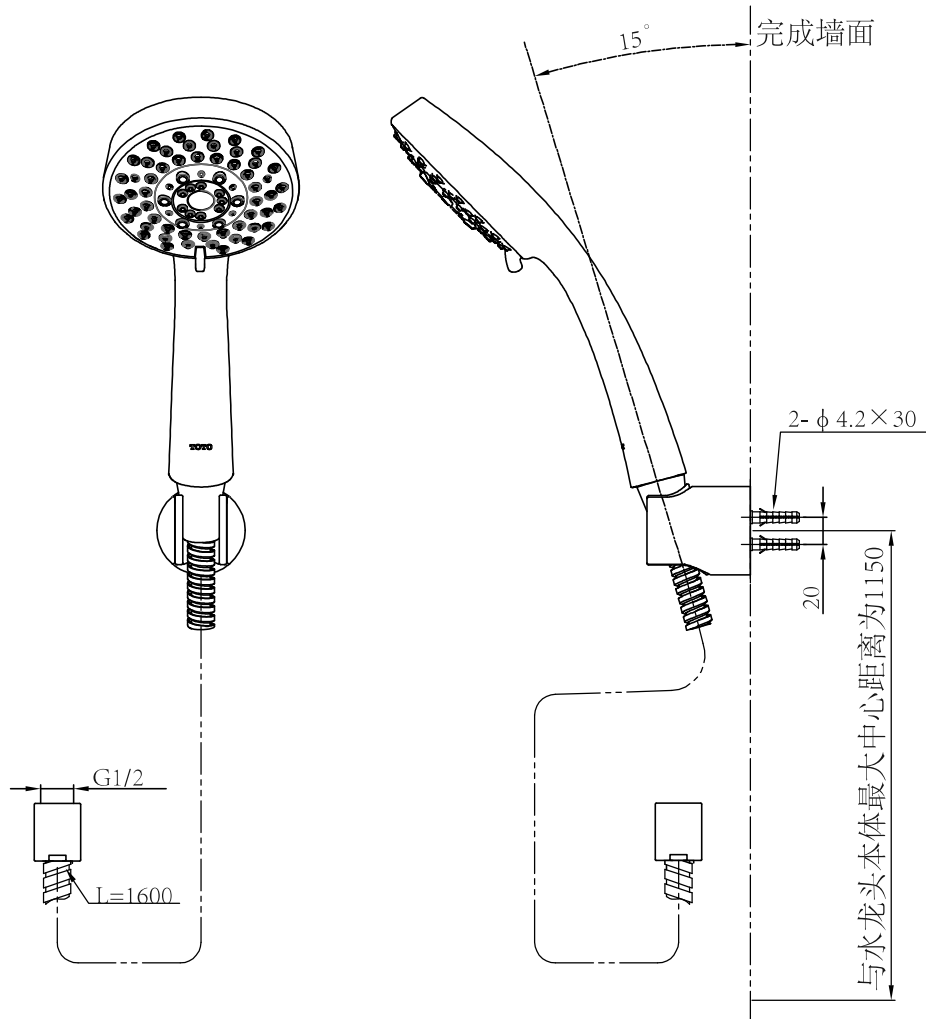


安装完成图



安装完成图

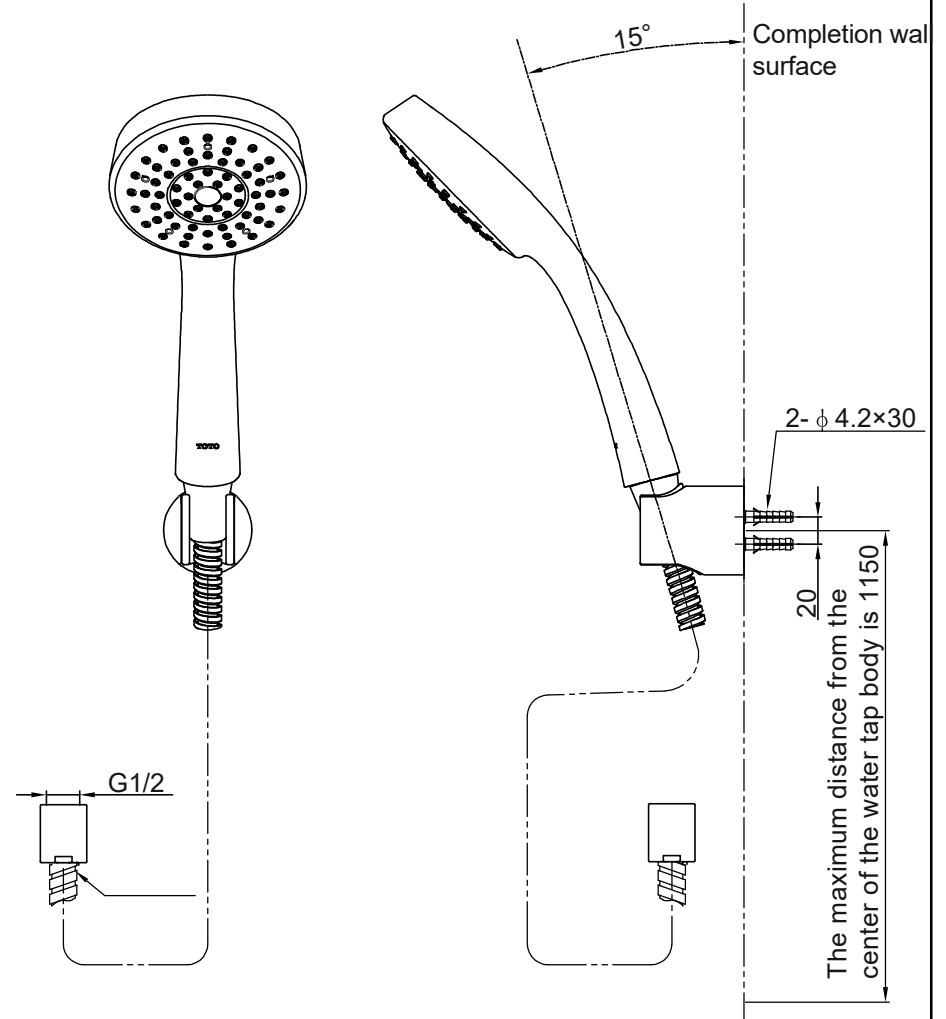
TBW01018*系列
五功能手持花洒 (浴室淋浴用)



注： 上記尺寸单位为mm；

Installation completion figure

TBW01017* series
"L Shower" 1mode Hand Shower Set (Standard Type)



Note: The unit of the above dimensions is mm;

Attentions in construction and maintenance

⚠️ Attentions

1. Do not impact the product. Otherwise, failure, water leakage may occur.
2. With the product design being updated constantly, the physical object may not coincide with the figure. However, the basic principle for installation, use is the same.
3. When using in places where frost damage may occur, anti-freezing measures must be taken.

The parts will be damaged due to frost damage, which may cause water leakage and property loss. Damages caused by frost damage are repaired for a fee even during the warranty period. Please ensure that the ambient temperature of the product is always above 0°C.

Anti-freezing measures

When using in places where icing may occur, anti-freezing measures must be taken.

1. The parts will be damaged due to frost damage, which may cause water leakage.
2. Damaged parts caused by frost damage are repaired for a fee even during the warranty period.
3. After the construction is completed or when it is not used for a long time, prepare to prevent sudden drop of temperature and prevent the product from frost damage.
4. Because of the risk of frost damage, please ensure that the ambient temperature of the product is always above 0°C.

Maintenance

To maintain a beautiful appearance of the product, the user is requested to conduct maintenance and care in the following method.

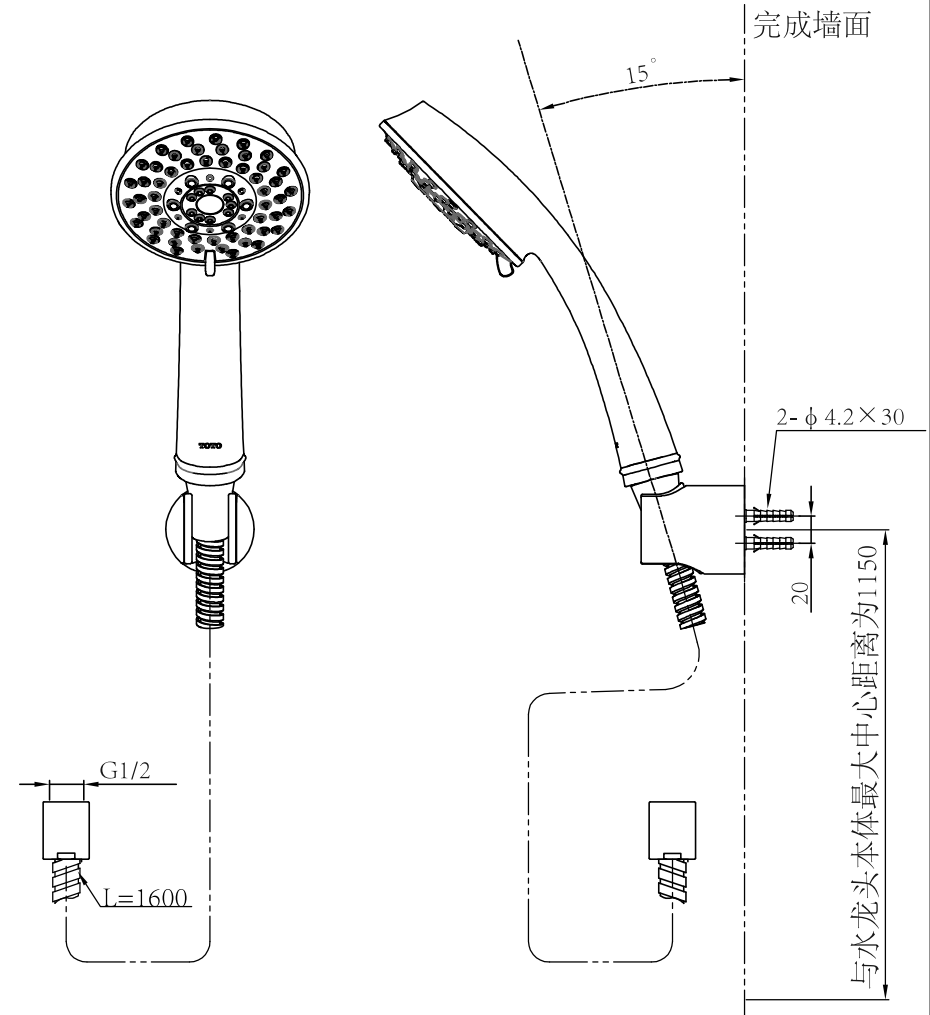
please maintain it according to the following methods

1. Wipe with a piece of soft cloth frequently and use a piece of soft cloth dipped in water to wipe from time to time.
2. When dirt exists obviously, please use water to wash sufficiently after wiping with a neutral detergent.
3. Do not use toilet cleaning powder, abstergent, machine oil, xina water, strong acidic and alkaline detengent or such detergent as containing perticle metters, nylon brush to clean the product.

安装完成图

TBW03002*系列

五功能手持花洒（浴室淋浴用）

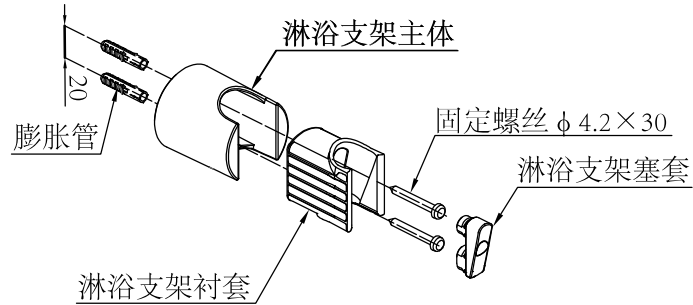


注： 上記尺寸单位为mm；

花洒的安装

1.淋浴支架的安装，如图1所示：

安装完成示例：TBW01017*系列花洒



- (1)对照淋浴支架上的安装孔尺寸，在墙面上沿竖直方向开两个间距为20mm的孔；
- (2)在孔内打入膨胀管；
- (3)把淋浴支架衬套插入淋浴支架主体并放在预先打好孔的墙面上，再用固定螺丝紧固；
- (4)然后将淋浴支架塞套装上。

图1：淋浴支架的安装

Use condition

Use condition

- 1.The handheld shower should be used with water tap.
- 2.Cold water supply*hot water supply pressure
Minimum pressure.....0.05MPa (flow pressure)
Maximum pressure.....0.5MPa (flow pressure)
Recommended service pressure.....0.1~0.5MPa (flow pressure)
Test pressure.....0.5MPa (flow pressure)
- 3.The temperature for hot water supply is not beyond 70°C. It is suggested to use the temperature of 60°C. Do not use steam to supply hot water.
- 4.The ambient temperature for use is above 0°C. If the ambient temperature is not higher than 0°C, the handheld shower may deform and crack from freezing.
- 5.To prevent internal shower damage, the shower water outlet temperature shall not exceed 60°C. It is suggested to use a temperature below 45°C.
- 6.To attain the best effect of installation and use, it is recommended that the handheld shower series should be used with the water tap from TOTO.
- 7.In installation, the maximum distance between the shower holder and the center of the water tap body is 1,150mm.
- 8.If it is left unused for a long time, the internal and external parts of the shower may get rusty to such a degree that it can't be used any more.
- 9.If you want to scrap this product, do not treat it as you do for general household garbage. Please follow relevant statutes to have it treated, recovered and collected appropriately by an independent recovery system.
- 10.The product in these instructions has a cleaning function.

Attentions in construction

- ⚠ Warning: it means that ignoring this mark and misoperation may cause serious personal injury and death.
- ⚠ Attention: it means that ignoring this mark and misoperation may cause personal injury or property loss.

⚠ Warning

- 1.The hot water supply side of the faucets is in a condition of high temperature. Do not allow skin to contact with the hardware surface directly. Otherwise, scalding may occur.
- 2.Do not reverse the cold*hot water pipes. Otherwise scalding may occur.
- 3.Do not use steam to supply hot water. Otherwise, scalding may occur.

Detailed list

Detailed list

Shower hose.....	1 piece
Handheld shower.....	1 piece
Shower holder..... (containing fixing screw package)	1 set
Instructions for construction.....	1 copy
Instructions for operation.....	1 copy

The products using the detailed list include:

TBW01017* "L Shower" 1mode Hand Shower Set (Standard Type)

TBW01018* "L Shower" 5mode Hand Shower Set (Standard Type)

TBW03002* "L Shower" 5mode Hand Shower Set (Classic Type)

花洒的安装

2.淋浴软管的安装

- (1)确认螺母内有无密封垫片;
- (2)确认手持花洒有无O型圈;
- (3)将软管与水嘴部螺纹相连接,如图2所示:

注意: 连接处请充分拧紧, 防止漏水。

例: TBW01017*系列花洒

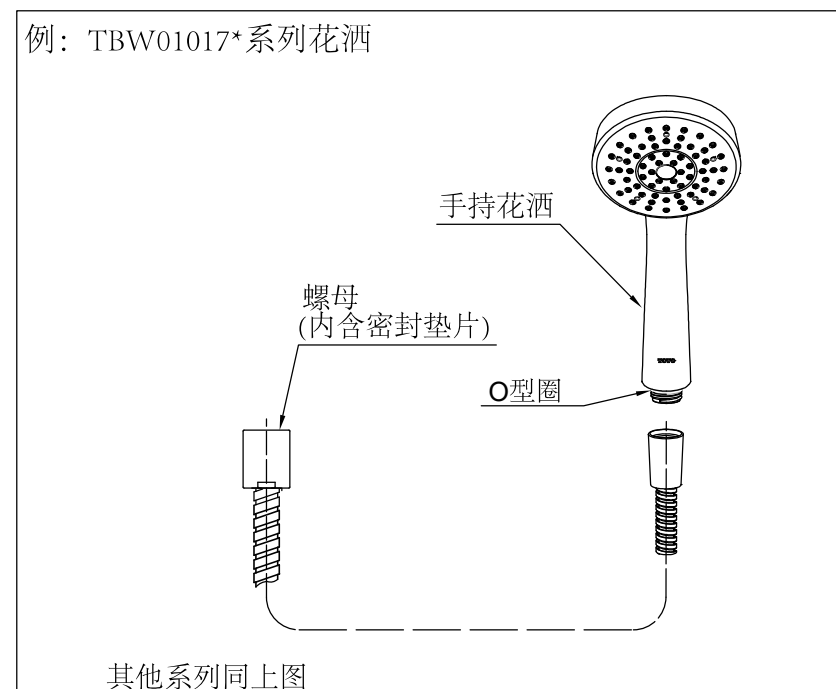


图2: 淋浴软管的安装

生产厂家与销售商

产品型号：见包装箱上的标签
产品名称：见包装箱上的标签
生产日期：见包装箱上的标签
组装工厂：东陶机器(广州)有限公司

厂 址：广州市番禺区南村镇兴南大道715号

东陶(中国)有限公司
全国售后服务电话：800-820-9787(固定电话)
400-820-9787(手机用户)



扫描二维码，
服务预约，方便快捷

销售商：东陶(中国)有限公司
地 址：北京市朝阳区光华路1号 北京嘉里中心北楼1915室
网 址：www.toto.com.cn

Contents

Contents

Contents.....	1
Detailed list.....	2
Use condition.....	3
Attentions in construction and maintenance.....	4
Installation completion figure.....	5-7
Shower installation.....	8-9