

施工说明书 Installation Manual

安装产品前请仔细阅读本施工说明书，并保留备用。
Before installing the product, please read the Installation Manual carefully and keep it for future reference.

TOTO

TOTO



安装完成后，本说明书务必交由客户保存。
After installation, the manual must be kept by the customer.

0G4731G
2023.11

目录

TOTO Asia Oceania Pte. Ltd.

Telephone: 65-6744-6955

FAX: 65-6841-0819

Address: 10 Eunos Road 8 #12-07 Singapore Post Centre
Singapore 408600

Website: asia.toto.com

TOTO KOREA LTD.

전화번호 : (02)-3141-8236

FAX 번호 : (02)-3141-8240

주소 : 서울시 마포구 상수동 351-16번지 로이코빌딩 3층

홈페이지 : <https://kr.toto.com/>

目 录

目录.....	1
明细单.....	2
使用条件.....	3
施工上的注意与保养.....	4
安装完成图.....	5-7
淋浴头的安装.....	8-9
生产厂家与销售商.....	10

明细单

明细单

固定式淋浴头·····	1套
装饰盖·····	1个
给水管·····	1个
施工说明书·····	1本
使用说明书·····	1本

使用此明细单的产品包括:

- TBW01012* 固定式淋浴头 (单功能)
- TBW01013* 固定式淋浴头 (五功能)
- TBW03001* 固定式淋浴头 (五功能)

Shower Head Installation

3. Shower head removal

The customer may follow the following steps to remove the shower head.

① As shown in the above figure, use a straight screwdriver to align with the gap between the hook and shower head. Just prize lightly for removal. Attention: Please support the hook with hand in removing to avoid the hook falling off and losing and pay attention to safety to avoid the screwdriver injuring hand.

② Open by screwing the shower head and water supply pipe screw threads. Take out the gasket, filter net in proper order. If too much dirt is left on the filter net, clean the filter net.

4. Shower head installation

After removal, the customer may follow the following steps to install it.

① Install the filter net, gasket in the shower head in proper order and use a wrench to tighten with the water supply pipe.

② Hang one end of the hook preventing drop in the fixing hole of the shower head and the other end in the fixing hole on the other end for fixing. Attention: It is imperative to hang both ends of the hook in the fixing hole. Otherwise, it may drop and get lost.

Shower Head Installation

1. Cleaning to the internal part of water supply pipe

Before installation, be sure to wash away such foreign matters as dust, sand grit, etc. from the water supply pipe.

2. Installation of water supply pipe

① Install the decorating cover onto the water supply pipe.

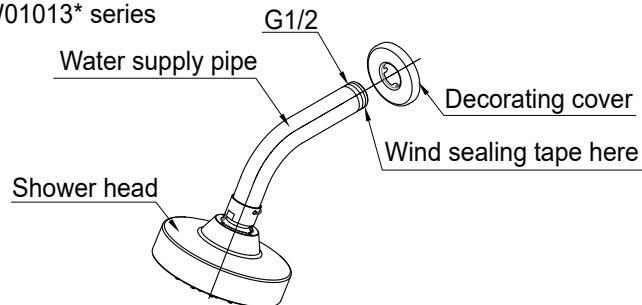
② Wind Teflon tape or other sealing tapes on the screw thread part of the water supply pipe.

Attention: a. To ensure that the decorating cover can cover the installation hole completely after installation, please control the installation hole dimension (it is suggested that the installation hole dimension is less than 47). Otherwise, the components buried in wall may not be covered after installation.

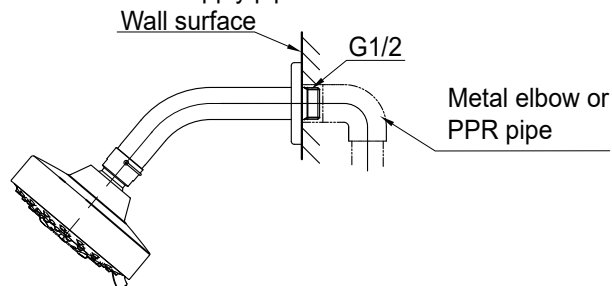
b. After installation, please adjust the decorating cover to such a location as leaning against the wall.

c. Please adjust the shower head to the best direction (as horizontal as possible).

Example: TBW01013* series



<Main points for installation of water supply pipe>



※ The main points for installation are the same for water supply pipes of other series.

使用条件

使用条件

1. 固定式淋浴头需配合水龙头使用。
2. 供冷水*供热水压力:
最低压力……………0.06MPa(流动压)
最高压力……………0.5MPa(流动压)
推荐使用压力……………0.12~0.5MPa(流动压)
检测压力……………0.5MPa(流动压)
3. 供热水温度不得超过70℃，建议使用温度60℃，供热水请勿使用蒸汽。
4. 使用环境温度0℃以上，如果不高于0℃，固定式淋浴头会出现变形、冻裂等现象。
5. 为防止淋浴头内部损坏，淋浴头吐水时温度不得超过60℃，建议使用温度45℃以下。
6. 为了达到最好的安装与使用效果，固定式淋浴头系列推荐与「TOTO」水嘴一起配套使用。
7. 长时间不使用时，可能导致花洒内部及外部锈蚀不能使用等现象。
8. 如果您需要废弃本产品，请勿将其作为一般生活垃圾处理，请依照法规经由独立的回收体系进行合适的处理、恢复和回收。
9. 本说明书的产品具有清洗功能。

施工上的注意

- △ **警告** 表示如果无视此标志而误操作时，有可能造成人员重伤或死亡。
- △ **注意** 表示如果无视此标志而误操作时，有可能造成人身伤害或财产损失。

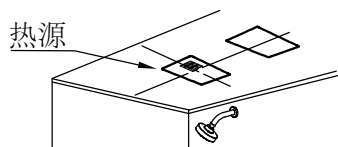
警告

1. 水嘴的供热水一侧处于高温状态，请勿使皮肤直接接触五金配件表面，否则可能会烫伤。
2. 请勿配反冷*热水配管，否则可能会烫伤。
3. 供热水请勿使用蒸汽，否则可能会烫伤。

施工上的注意与保养

⚠ 注意

1. 请勿撞击本产品，否则可能会造成故障、漏水。
2. 随着产品式样的不断更新，实物可能与图示不符，但基本原理相同。
3. 本产品必须远离暖风机或浴霸等发热源，否则可能损坏花洒表面和内部结构。
4. 在可能结冰的场所使用时，要切实做好防冻措施。
由于结冰，零件破损，有可能导致漏水，造成财产损失。因结冰而造成的破损即使在保修期内也是有偿修理。请不要让产品的温度低于0℃。



防冻措施

在可能结冰的场所使用时，要切实做好防冻措施。

1. 产品结冰的话零件损坏，成为漏水的原因。
2. 因结冰造成的零件损坏即使在保修期内也是有偿修理。
3. 施工完了后或长时间不使用时，要有预防突然降温的准备，要对产品进行结冰预防。
4. 因为有结冰的危险，请不要让产品周围的温度在0℃以下。

保养

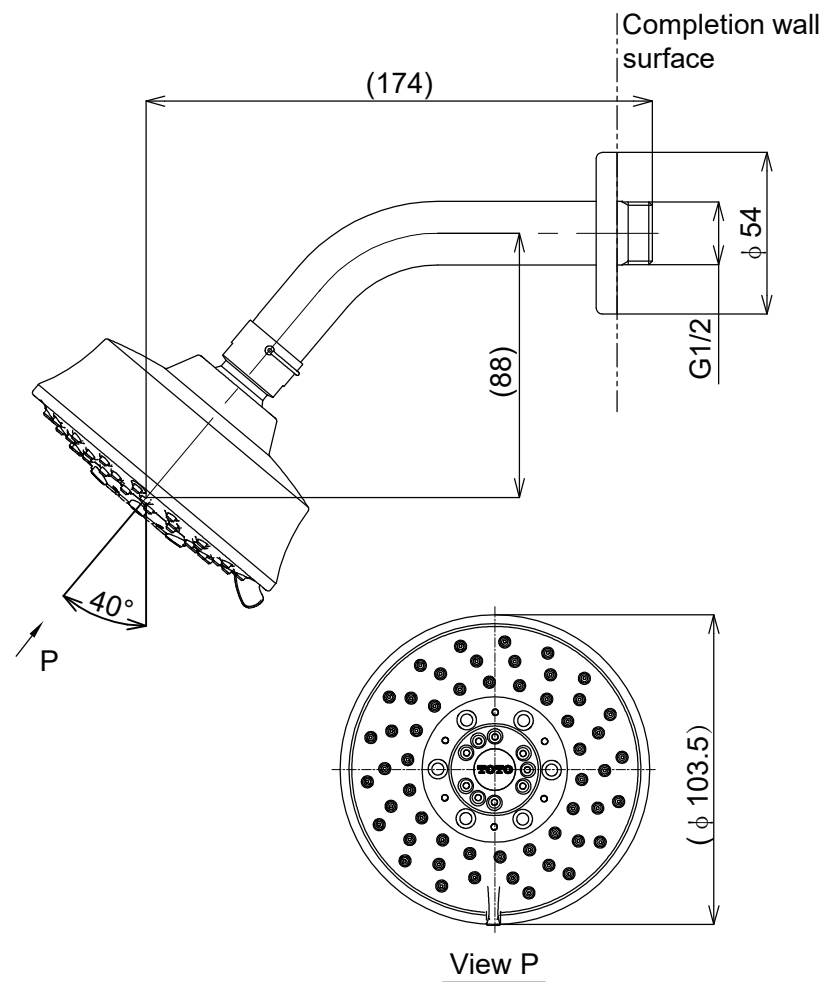
为长期保持产品的美观，请用户按以下方法维护保养。

1. 经常用软布擦拭，间或用软布蘸水擦拭。
2. 当有污垢且较明显时，请用中性洗涤剂擦拭后充分进行水洗。
3. 不得使用洁厕粉、去污粉、机油、辛那水、强酸、强碱性洗涤剂或含颗粒物质的洗涤剂、尼龙刷子来清洁本产品。

Installation completion figure

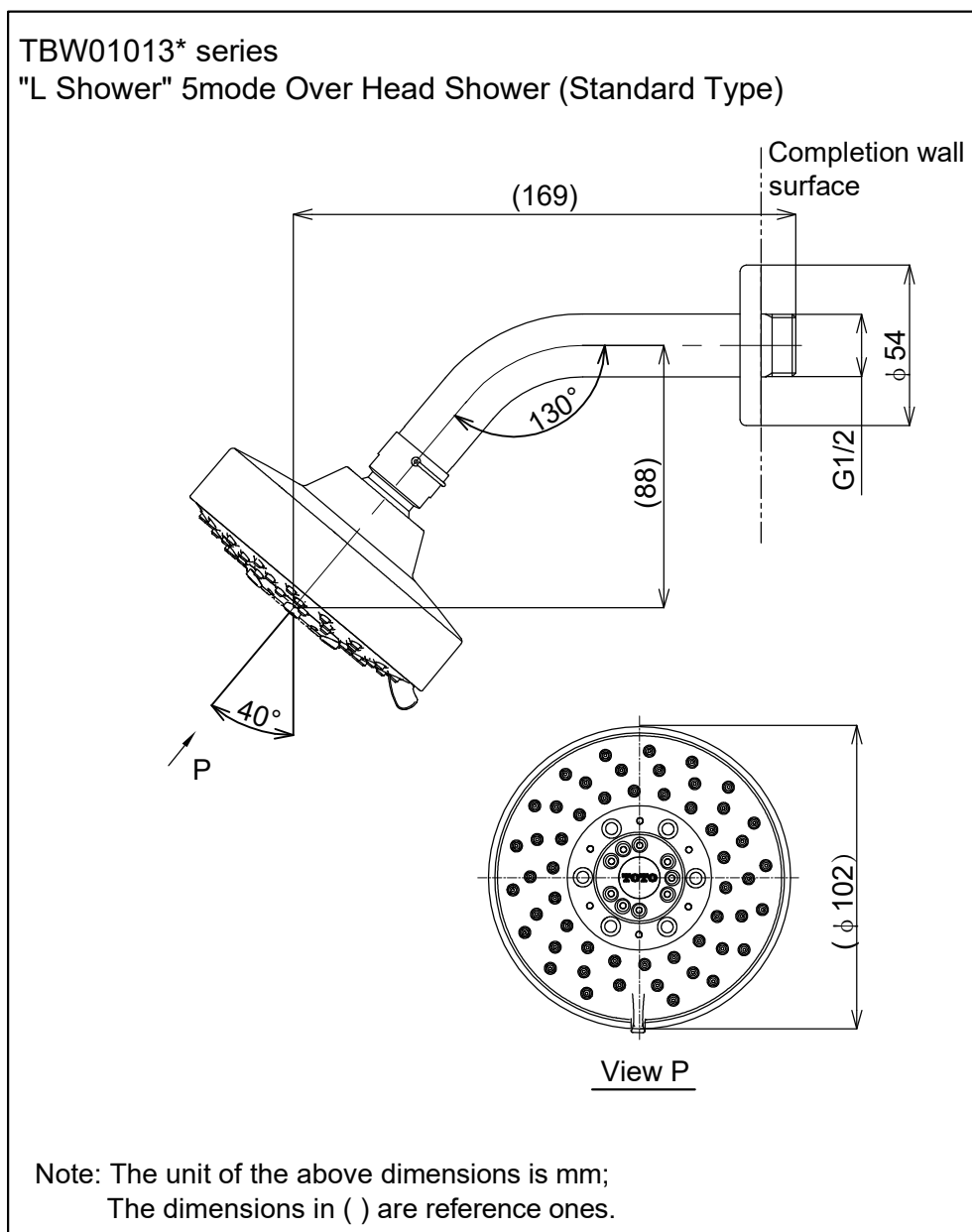
TBW03001* series

"L Shower" 5mode Over Head Shower (Classic Type)

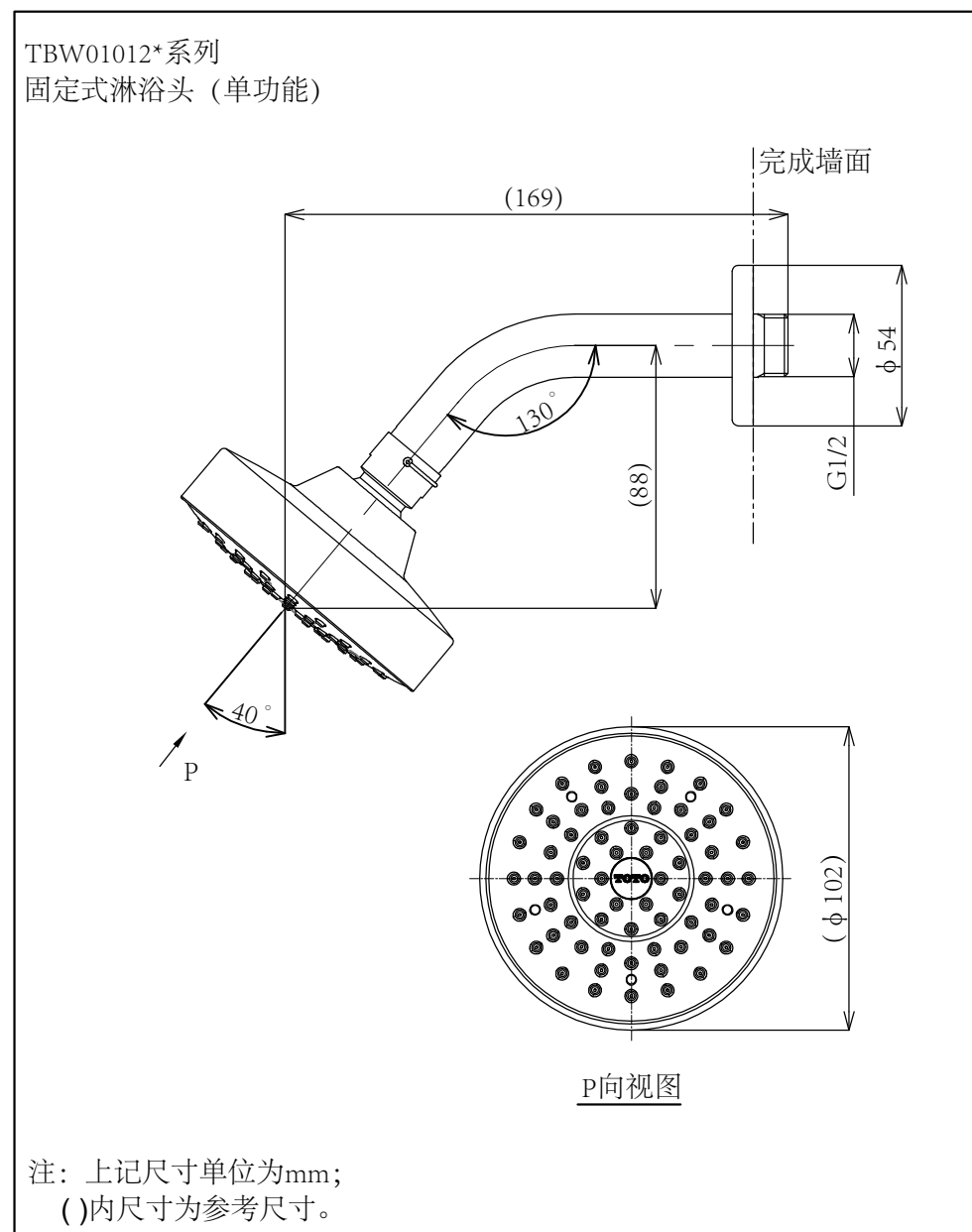


Note: The unit of the above dimensions is mm;
The dimensions in () are reference ones.

Installation completion figure

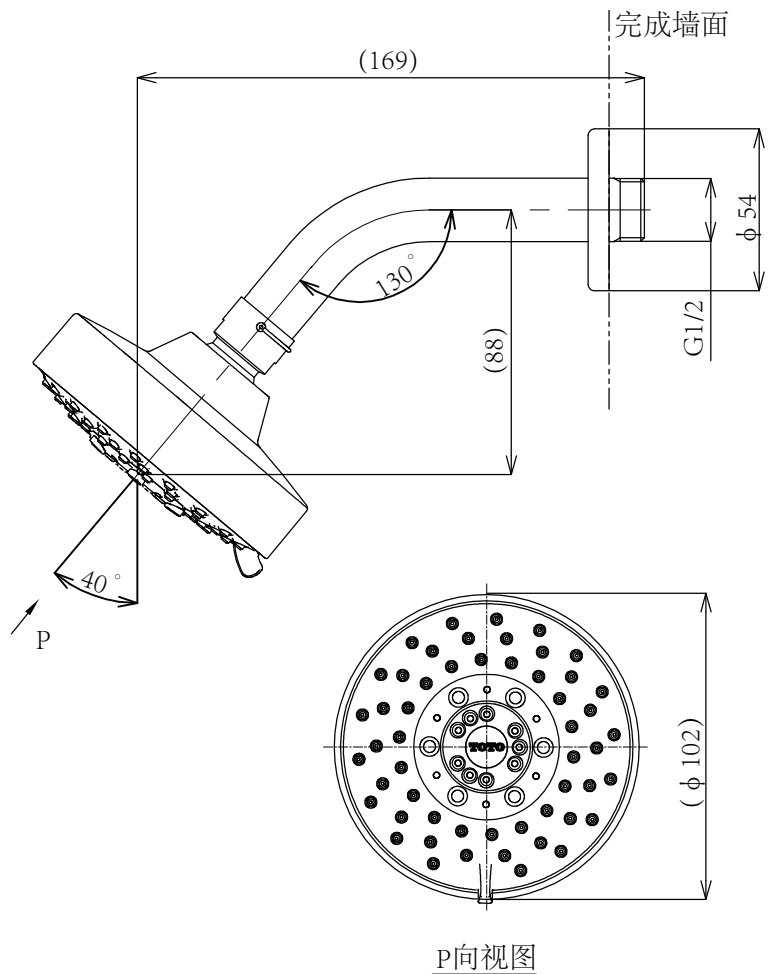


安装完成图



安装完成图

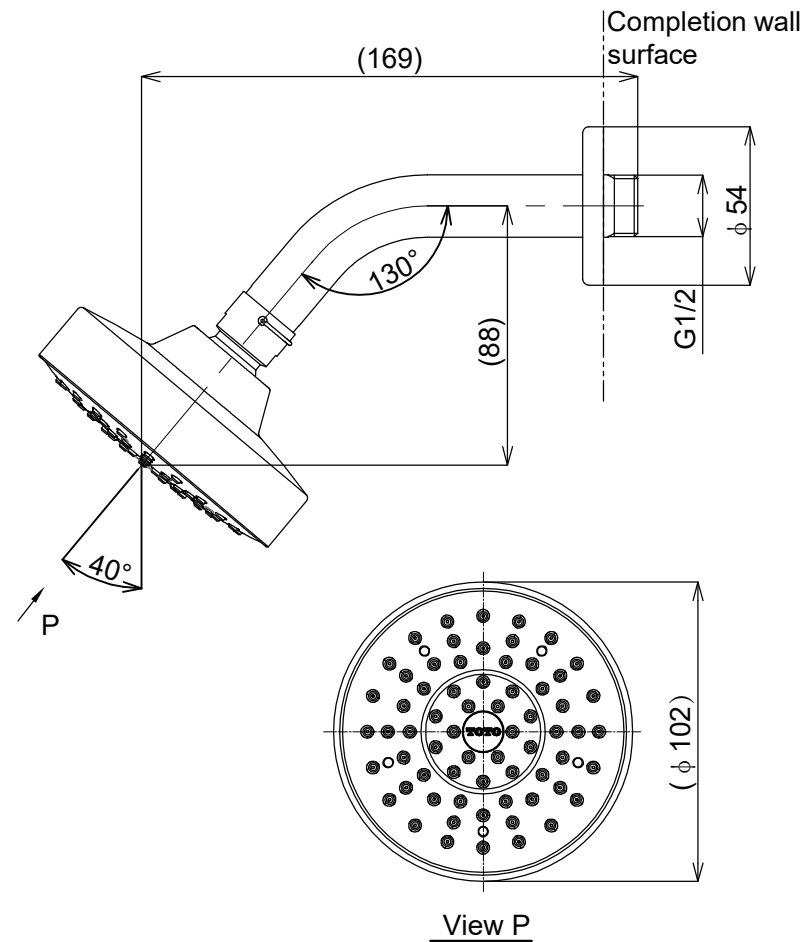
TBW01013*系列
固定式淋浴头 (五功能)



注： 上記尺寸单位为mm；
()内尺寸为参考尺寸。

Installation completion figure

TBW01012* series
"L Shower" 1mode Over Head Shower (Standard Type)

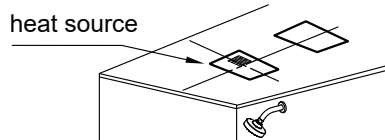


Note: The unit of the above dimensions is mm;
The dimensions in () are reference ones.

Attentions in construction and maintenance

⚠ Attentions

1. Do not impact the product. Otherwise, failure, water leakage may occur.
2. With the product design being updated constantly, the physical object may not coincide with the figure. However, the basic principle for installation, use is the same.
3. The company is not responsible for structural damage caused by proximity to heat sources.
4. When using in places where frost damage may occur, anti-freezing measures must be taken.
The parts will be damaged due to frost damage, which may cause water leakage and property loss. Damages caused by frost damage are repaired for a fee even during the warranty period. Please ensure that the ambient temperature of the product is always above 0°C.



Anti-freezing measures

When using in places where frost damage may occur, anti-freezing measures must be taken.

1. The parts will be damaged due to frost damage, which may cause water leakage.
2. Damaged parts caused by frost damage are repaired for a fee even during the warranty period.
3. After the construction is completed or when it is not used for a long time, prepare to prevent sudden drop of temperature and prevent the product from frost damage.
4. Because of the risk of frost damage, please ensure that the ambient temperature of the product is always above 0°C.

Maintenance

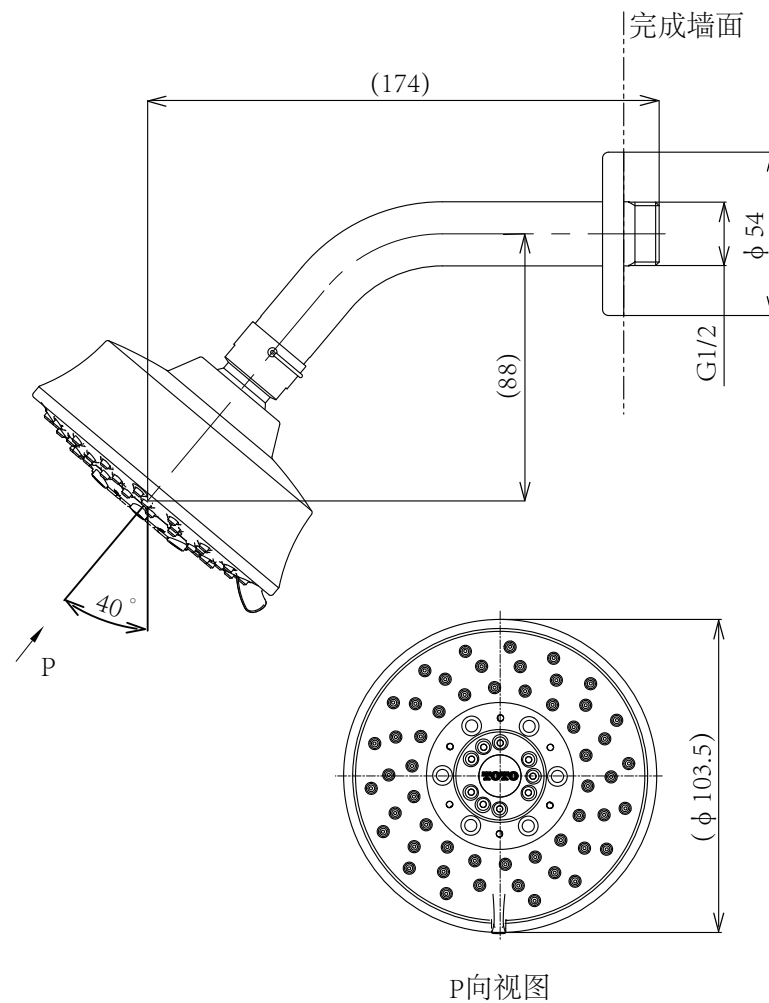
To maintain a beautiful appearance of the product, the user is requested to conduct maintenance and care in the following method.

1. Wipe with a piece of soft cloth frequently and use a piece of soft cloth dipped in water to wipe from time to time.
2. When dirt exists obviously, please use water to wash sufficiently after wiping with a neutral detergent.
3. Do not use toilet cleaning powder, abstergent, machine oil, xina water, strong acidic and alkaline detergent or such detergent as containing particle matters, nylon brush to clean this product.

安装完成图

TBW03001*系列

固定式淋浴头 (五功能)



注： 上記尺寸单位为mm；
()内尺寸为参考尺寸。

淋浴头的安装

1. 供水管内的清扫

安装之前，一定要冲净供水管内的灰尘、砂砾等异物。

2. 给水管的安装

①将装饰盖装到给水管上。

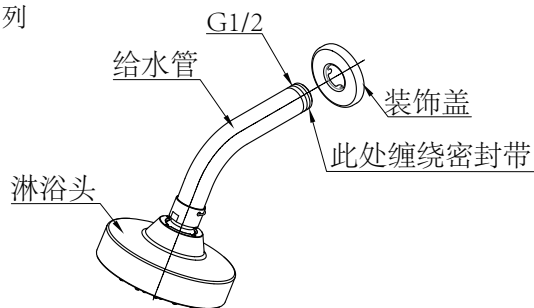
②用生料带或其他密封带缠绕给水管的螺纹部分。

注意：a. 为确保安装后装饰盖能完全盖住安装孔，请把握好安装孔的开孔尺寸(建议开孔尺寸 $\phi 47$ 以下)，否则会出现安装后埋墙部件不能被遮盖的现象。

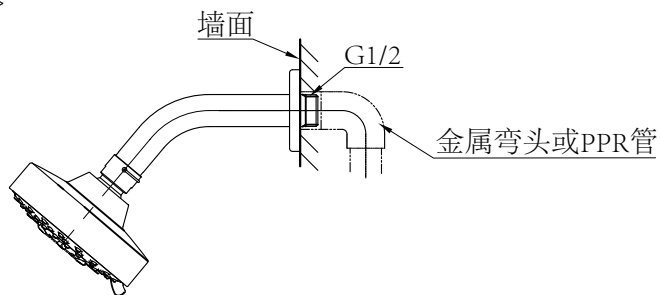
b. 安装完毕后，请调节装饰盖到靠墙位置。

c. 调整淋浴头至最佳方向(尽量调整水平)。

例：TBW01013*系列



<给水管安装要领>



※其他系列给水管安装要领原理相同

Use condition

Use condition

- The handheld shower should be used with water tap.
- Cold water supply*hot water supply pressure
 - Minimum pressure.....0.06MPa (flow pressure)
 - Maximum pressure.....0.5MPa (flow pressure)
 - Recommended service pressure.....0.12~0.5MPa (flow pressure)
 - Test pressure.....0.5MPa (flow pressure)
- The temperature for hot water supply is not beyond 70°C. It is suggested to use the temperature of 60°C. Do not use steam to supply hot water.
- The ambient temperature for use is above 0°C. If the ambient temperature is not higher than 0°C, the fixed type shower head may deform and crack from freezing.
- To prevent internal shower damage, the shower water outlet temperature shall not exceed 60°C. It is suggested to use a temperature below 45°C.
- To attain the best effect of installation and use, it is recommended that the fixed type shower head series should be used with the water tap from TOTO.
- In installation, the maximum distance between the shower holder and the center of the water tap body is 1,150mm.
- If it is left unused for a long time, the internal and external parts of the shower may get rusty to such a degree that it can't be used any more.
- If you want to scrap this product, do not treat it as you do for general household garbage. Please follow relevant statutes to have it treated, recovered and collected appropriately by an independent recovery system.
- The product in these instructions has a cleaning function.

Attentions in construction

- ⚠ Warning: it means that ignoring this mark and misoperation may cause serious personal injury and death.
- ⚠ Attention: it means that ignoring this mark and misoperation may cause personal injury or property loss.

⚠ Warning

- The hot water supply side of the faucets is in a condition of high temperature. Do not allow skin to contact with the hardware surface directly. Otherwise, scalding may occur.
- Do not reverse the cold*hot water pipes. Otherwise scalding may occur.
- Do not use steam to supply hot water. Otherwise, scalding may occur.

Detailed list

Detailed list

Fixed type showed head.....	1 set
Decorating cover.....	1 piece
Water supply pipe.....	1 piece
Instructions for construction.....	1 copy
Instructions for operation.....	1 copy

The products using this detailed list include:

TBW01012* "L Shower" 1mode Over Head Shower (Standard Type)

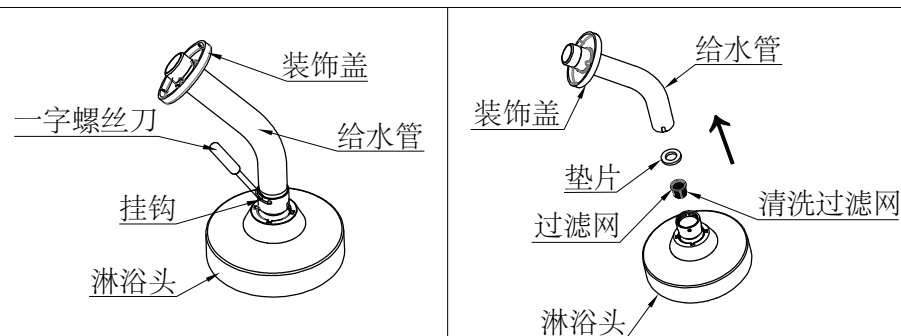
TBW01013* "L Shower" 5mode Over Head Shower (Standard Type)

TBW03001* "L Shower" 5mode Over Head Shower (Classic Type)

淋浴头的安装

3. 淋浴头的拆卸

当客户需要对淋浴头进行拆卸时，可按照下述步骤进行拆卸。



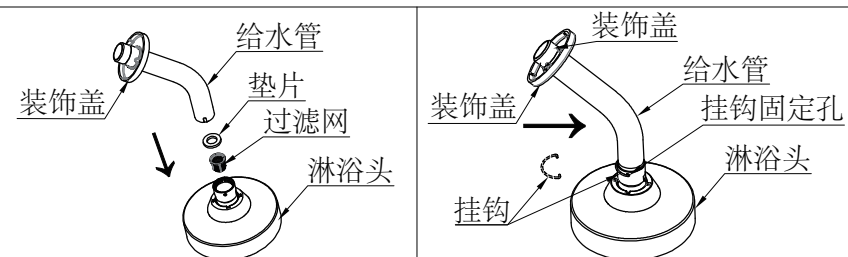
①如上图所示，用一字螺丝刀对准挂钩与淋浴头间的间隙，轻轻撬动即可拆卸。

注意：拆卸时请用手扶住挂钩，避免挂钩脱落丢失，并注意安全，避免螺纹刮手。

②用扳手将淋浴头与给水管螺纹旋开，依次取出垫片、过滤网。如过滤网残留脏污较多，可对过滤网进行清洗。

4. 淋浴头的安装

淋浴头拆卸后，客户可按照下述步骤对淋浴头进行组装。



①将过滤网、垫片依次装入淋浴头与给水管用扳手旋紧连接。

②将防脱落挂钩一端挂入淋浴头固定孔内，另一端挂入另一侧固定孔内固定。

注意：挂钩两端必须都挂入固定孔内，否则有脱落丢失隐患。

生产厂家与销售商

产品型号：见包装箱上的标签
产品名称：见包装箱上的标签
生产日期：见包装箱上的标签
组装工厂：东陶机器(广州)有限公司

厂 址：广州市番禺区南村镇兴南大道715号

东陶(中国)有限公司
全国售后服务电话：800-820-9787(固定电话)
400-820-9787(手机用户)



扫描二维码，
服务预约，方便快捷

销售商：东陶(中国)有限公司
地 址：北京市朝阳区光华路1号 北京嘉里中心北楼1915室
网 址：www.toto.com.cn

Contents

Contents

Contents.....	1
Detailed list.....	2
Use condition.....	3
Attentions in construction and maintenance.....	4
Installation completion figure.....	5-7
Shower Head Installation.....	8-9