

TOTO

铜合金台式单柄双控净身器水嘴



TRP02301型



为了能够发挥产品功能，请细读本安装说明书的内容，并正确地安装。安装后，请务必向客户仔细地说明使用方法。





1 安全上的注意事项 (为了安全起见，务必遵守)





使用前，务请细读本「安全上的注意事项」的内容，并正确地安装。

- 为了安全、正确地使用本产品，确保使用者或他人免受危害或财产损失，本说明书内使用各种标识。各标识与含义如下：
- 务必遵守的内容和种类均用下列所示的标识分别进行说明。

 警告	无视本标识错误使用时，可能会导致人的死亡或重伤。
 注意	无视本标识错误使用时，可能会导致受伤或损坏物品。

 禁止	为绝对「禁止」的行为。左图表示「禁止拆卸」。
 必须实行	为务必执行的「强制」内容。左图表示「必须实行」。

 警告	
	切勿接反热水管。 否则可能因误操作而烫伤。
	供水温度不得超过90°C，建议供水温度为60°C。热水管请勿使用蒸汽。 否则可能会造成产品使用寿命缩短、损坏、烫伤以及因发生漏水而造成弄湿家具等财产损失。
	非专业维修人员绝对不能进行说明书记载检修项目外的产品拆解、修理和改造。 否则，可能因产品受损导致烫伤、受伤，或因漏水而引起家具浸湿等财产损失。

 注意	
	不要施加强力或冲击。 否则可能会造成破损，以及因发生漏水而造成的家具浸湿等财产损失。
	切勿对拉杆过于施加压力或撞击 否则可能导致产品无法良好运作或发生故障。
	请勿在室外或可能结冰的地方使用。 否则可能会造成破损，以及因发生漏水而造成的家具浸湿等财产损失。

2 规格

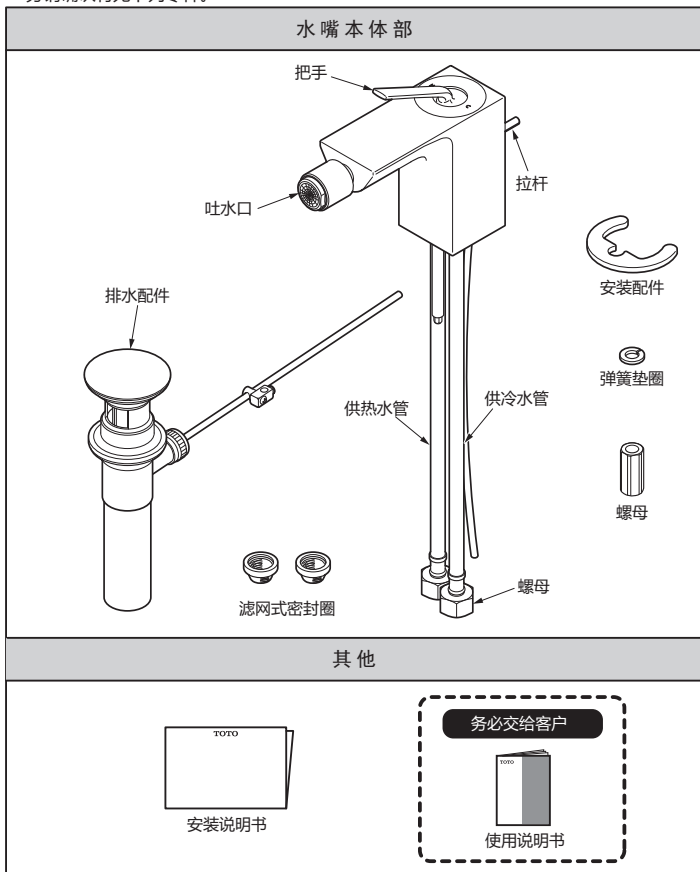
供冷水·供热水压力	最低水压	0.05MPa (流动压)
	最高水压	1.0MPa (静压)
	推荐使用压力	0.1~0.5MPa (流动压)
供水温度	4~90°C，建议供热水温度60°C。	
使用环境温度	1~40°C	
用途	普通家庭用	
吐水流量	5.7升/分钟 内置定流量阀	
水效等级	1级	

3 安装前的须知

- 供水压力超过0.75MPa时，请务必使用市场销售的减压阀，将供水压力降至0.2~0.3MPa。为了让客户能更舒适地使用本产品，推荐的供水压力为0.2~0.3MPa。
- 为防止误操作而导致的烫伤，冷水水压必须高于或等于热水水压。如必须给热水侧加压时，热水侧压力也必须低于冷水水压。
- 为了减少供热设备到水嘴间的阻力，请按最短距离进行排管。水管须包裹保温材料。
- 使用燃气热水器供热时，因燃气热水器使用条件、供冷水压力的不同，可能会发生燃气热水器不能点火的情况。
- 为了易于进行水势的调节和器具的检查，务必另行准备进水角阀。
- 包装产品之前，因执行通水试验，可能会在产品内部留有残水，但是产品性能上毫无问题。
- 安装进水角阀后，请务必冲洗干净供水管和供热水管内的垃圾。否则可能因垃圾堵塞导致出水减少或放水状态紊乱。

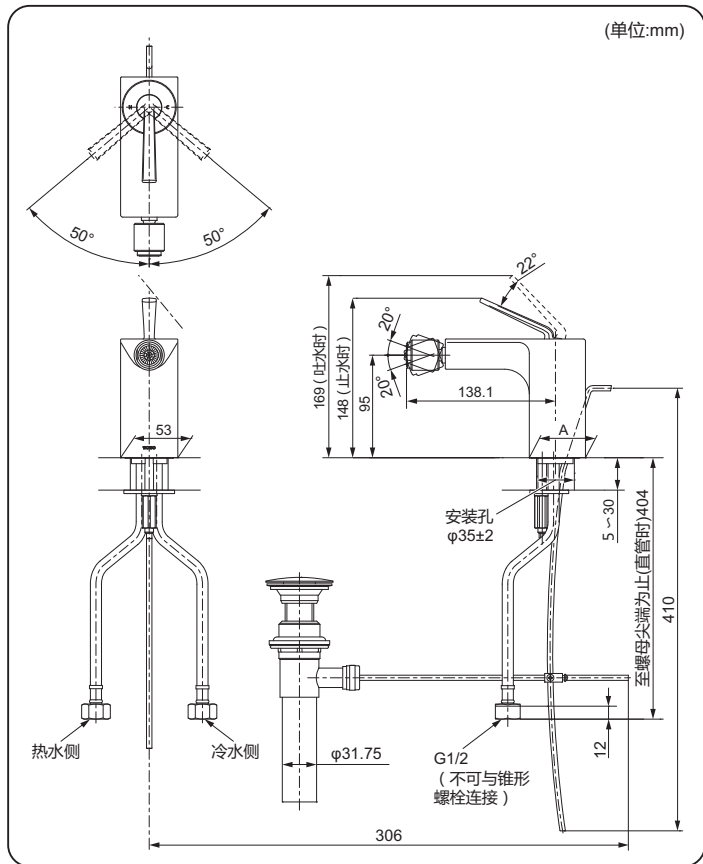
4 零件的确认

务请确认有无下列零件。

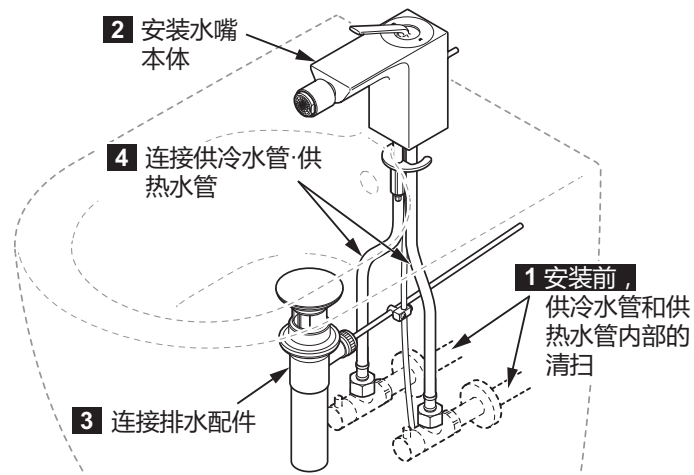


5 完成图

※因产品型号不同，图片与实物可能稍有差异。



6-1 安装步骤



※关于净身器盆 (Bidet bowl) 的安装，请参照该产品附带的说明书。

1 安装前，供冷水管和供热水管内部的清扫

安装产品前，应先安装进水角阀，然后请务必冲洗干净供冷水管和供热水管内的垃圾或沙土等。

重要

注意

否则因供冷水管和供热水管内的垃圾或沙土堵塞滤网而导致发生下列情况。

- ①吐量少
 - ②难以调节温度
- 因此，请务必进行供冷水管和供热水管内的清扫。



先准备市售的软管等和水桶，再将该软管等连接到进水角阀，慢慢地打开进水角阀，以便冲洗供冷水管和供热水管内的垃圾或沙土等。

6-2

2 安装水嘴本体

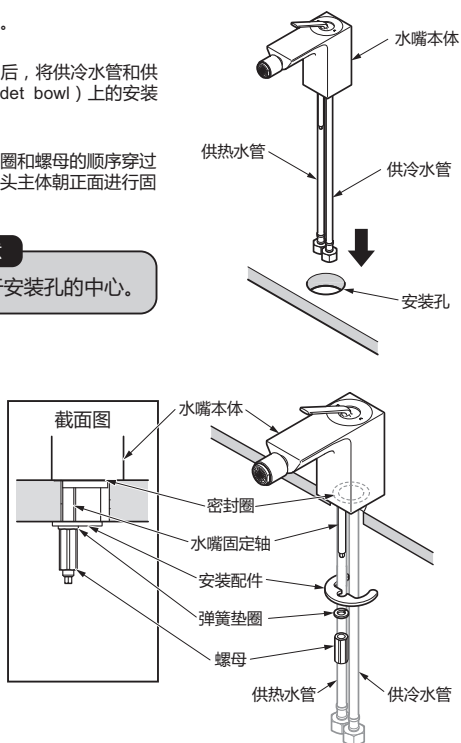
①清除安装孔周围的污垢。

②如右图所示确认密封圈后，将供冷水管和供热水管插入净身器 (Bidet bowl) 上的安装孔。

③按照安装配件、弹簧垫圈和螺母的顺序穿过水嘴固定轴中，将水龙头主体朝正面进行固定。

注意

请将水嘴本体固定于安装孔的中心。



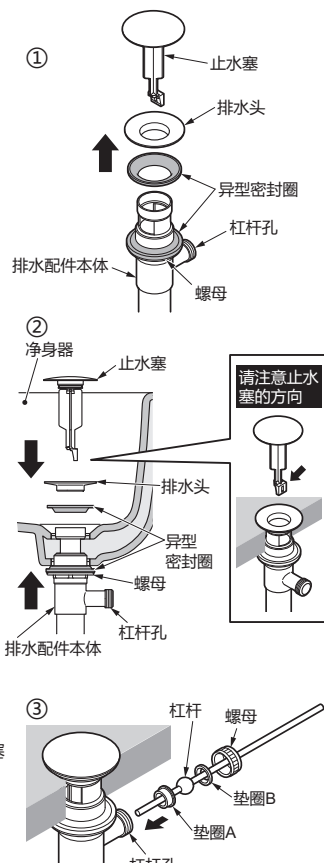
3-1 排水配件的连接

① a. 从排水配件本体上拆下止水塞、排水头以及异型密封圈。

② a. 从下面将排水配件本体穿过净身器 (Bidet bowl) 的排水口。
b. 按异型密封圈和法兰的顺序如同夹住净身器一样固定在排水配件本体上。
c. 将横杆盒朝着水嘴侧，用螺母拧紧净身器固定，直至不损坏净身器为止。

③ a. 先将垫圈A穿过横杆，再将横杆尖端穿过止水塞孔。
b. 按垫圈B和螺母的顺序穿过已穿通止水塞孔的横杆，接着拧紧螺母固定横杆。

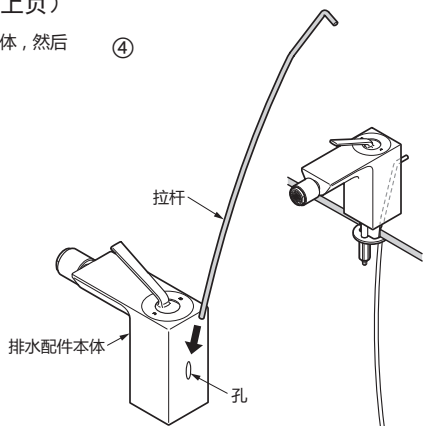
必要时可截短拉杆和横杆。



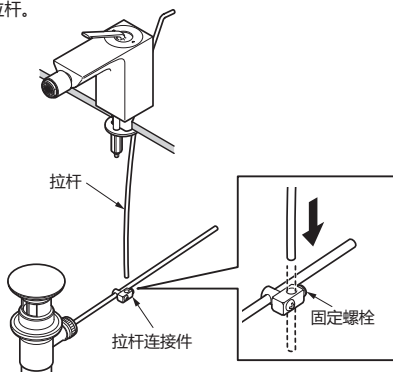
接下页

3-2 排水配件的连接 (接上页)

④ a. 先将拉杆穿过排水配件本体, 然后再穿过拉杆连接件。

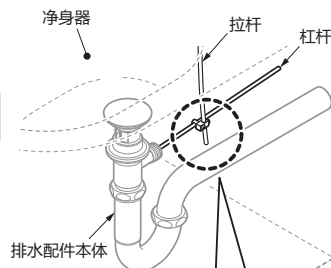


b. 用固定螺栓固定拉杆连接件和拉杆。

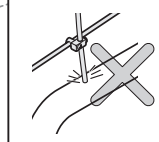


c. 排水时若拉杆的操作行程不足, 可截短拉杆。

安装结束后, 操作拉杆2至3次, 确认是否正正常动作。



请确保拉杆下降时不会触碰其他物品



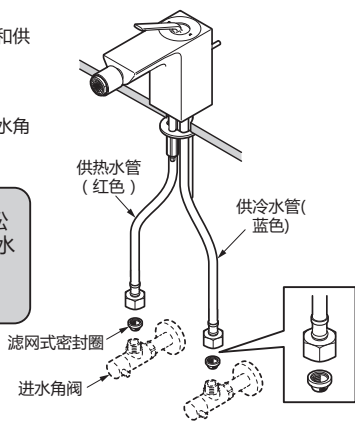
4 供冷水管和供热水管的连接

① 先将滤网式密封圈分别安装在供冷水管和供热水管内, 然后再连接至进水角阀。

② 将供冷水管和供热水管确实地固定在进水角阀上。

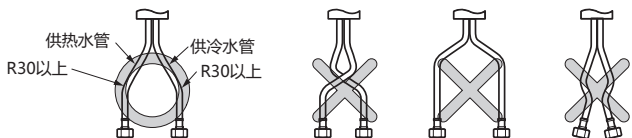
注意

- 为了防止使供冷水管和供热水管松开, 确实地固定供冷水管和供热水管, 直至旋紧为止。
- 注意滤网式密封圈的方向。



安装供冷水管和供热水管时的注意事项

- 请注意避免用力过大弄弯管道而折断。供水管的最小弯曲半径为30mm。弯曲半径小于最小弯曲半径时, 因供水管道过度弯折, 可能导致流量不足或破损、漏水的现象发生。
- 请勿将供水管道在水嘴安装面处过度弯折。
- 供水管道长度不足时请勿强行安装。
- 安装时请勿缠绕供水管。外部加强层的磨损会导致供水管损伤, 进而引起各项性能下降。

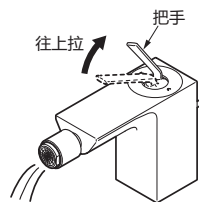


安装后的调节

吐水确认

安装结束后, 打开总进水开关, 以确认从吐水口是否正常吐水。

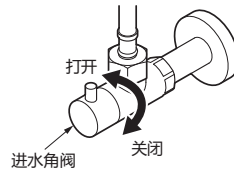
同时, 请确认连接部件有无漏水。



用进水角阀调节流量

打开进水角阀。

完全打开把手时的流量过多或过少以及难以调节温度时, 通过调节进水角阀可调节吐水量, 解决溅水等问题。

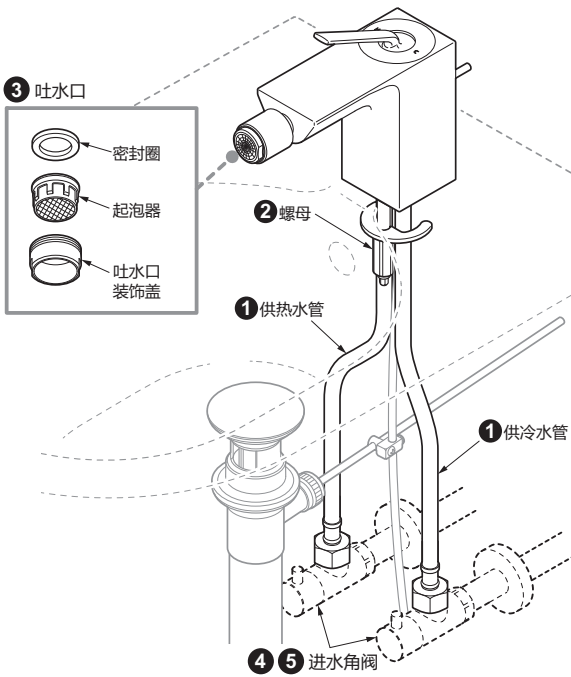


使用上的注意事项

虽然使用中可能会出现下列现象, 但是这不是故障。请仔细向客户说明。

现象	说明
与开始使用时相比, 使用一段时间后, 把手的操作感觉有些紧。	这是使用后因逐步适应内部零件, 产品处于稳定状态而出现一种现象。这不是故障。

安装结束后，请确认下列事项。



漏水的确认

请确认有无漏水。

- ① 供冷水管·供热水管与进水角阀是否安装牢固？

↳ 6-4 ④ 请参照「供冷水管和供热水管的连接」之项。

晃动的确认

确认有无晃动。

- ② 检查螺母有无松开？

↳ 6-2 ② 请参见「安装水嘴本体」之项。

确认流量和吐水的温度

流量少或难以调节温度时，请确认下列项目

- ③ 检查吐水口是否堵塞垃圾？

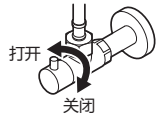
↳ 清扫吐水口。



- ④ 检查进水角阀是否完全打开？

- ⑤ 检查水势是否过强？

↳ ⑦ 请参见「吐水确认」



※务必将包装箱内所附带的使用说明书等交给客户。

TOTO

Single Handle Faucet for Bidet

TRP02301

Install the product according to this Installation Manual so that the product fulfills its function. When the installation is over, fully explain how to use the single handle faucet to the customer.

1 Safety Precautions (Be sure to follow all precautions for safety sake.)

Please read these Safety Precautions before installation work in order to install the product properly.

• This manual employs various indications in order to install the product properly and to prevent harm to the customer and other people, as well as damage to their properties. The indications and meanings are as follows:

! WARNING

This indication means that if the content in the column of this indication is ignored or handled wrongly, death or serious injury may occur.

! CAUTION

This indication means that if the content in the column of this indication is ignored or handled wrongly, injury or property damage may occur.

• The contents you must observe are classified into the following symbols; their meanings are explained.



Indicates things that you must not do as "Prohibited". The left figure indicates that "Disassembly is Prohibited".



Indicates things that you must do without fail as "Mandatory". The left figure indicates to "Execute it without fail".

! WARNING

Do not connect the cold water pipe and the hot water pipe reversely.

Even if you try to turn on the cold water, the hot water comes out and may scald you.



Prohibited

Do not use supply water at a temperature higher than 90°C.

If you use the water at a temperature higher than 90°C, the water may scald you and the life of the faucet may shorten causing it to break and leak water that may wet household articles and cause damage to your property.

! WARNING



Disassembly Prohibited

Do not disassemble or remodel the product with other items than what are described in this manual.

Otherwise, the water may scald or injure you and the product may break and leak water that may wet household articles and cause damage to your property.

! CAUTION

Do not subject the product to strong force or impact.

Otherwise, the product may break and leak water that may wet household articles and cause damage to your property.



Prohibited

Do not subject the pulling bar to strong force or impact.

Otherwise, malfunction or trouble may be caused.



Mandatory

Do not use the product in any place where freezing can be expected.

Otherwise, parts may break and leak water that may wet household articles and cause damage to your property.

2 Specifications

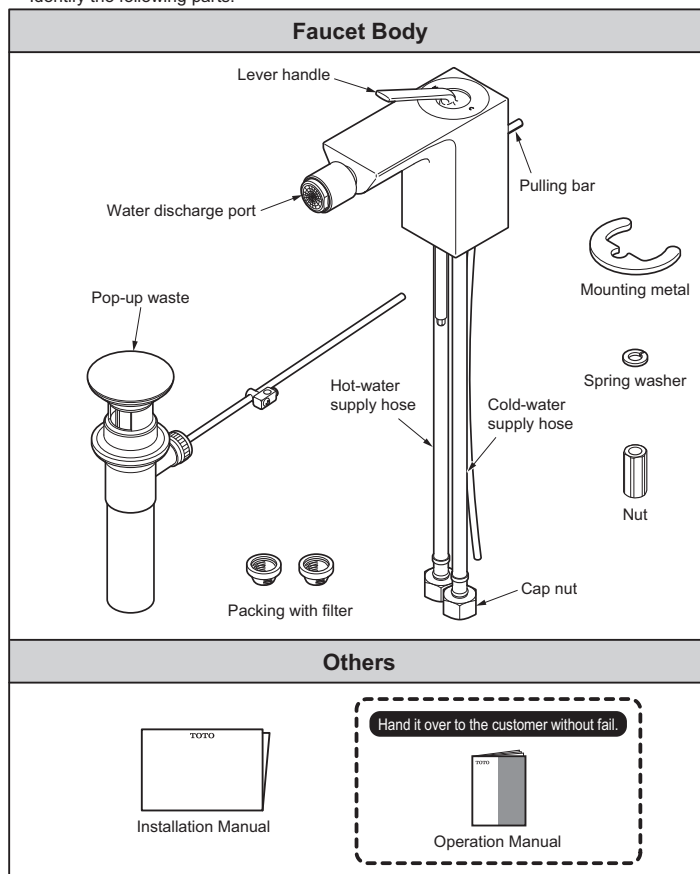
Cold / Hot water supply pressure	Minimum water pressure	0.05 MPa (Dynamic)
	Maximum water pressure	1.0 MPa (Static)
	Recommended water pressure	0.1~0.5 MPa (Dynamic)
Temperature of water supply	4~90°C. Recommended hot water temperature 60°C	
Environmental temperature used	1~40°C	
Application	For bidet in general house	
Water discharge volume	5.7 L/min. constant flow valve incorporated	

3 Before Installation

- If the water supply pressure exceeds 0.75 MPa, reduce the pressure to about 0.2~0.3 MPa using a commercially available pressure reducing valve. We recommend a water supply pressure of about 0.2~0.3 MPa for comfortable use of the faucet.
- In order to prevent scalding due to erroneous operation, be sure to set the cold water supply pressure higher than the hot water supply pressure or set them to the same pressure. Even when applying pressure to the hot water side, be sure to set the hot water supply pressure side lower than the cold water side.
- Connect the hot-water supply pipe at a minimum length from the water heater in order to reduce resistance and be sure to wrap the water supply pipe with thermal insulation.
- In the case of an instantaneous hot-water heater, the water heater may not ignite according to the conditions such as performance and water pressure of the water heater.
- In order to facilitate water pressure adjustment and equipment checking, be sure to prepare a water shutoff valve separately.
- Since the flow is examined before packaging the product, some water may remain in the product, but nothing is wrong with the product.
- After the water shutoff valve is mounted, flush dirt in the cold-/hot-water supply pipes completely away. Otherwise, the inside of pipe may become clogged with debris, causing a reduction in water discharge volume or preventing water discharge.

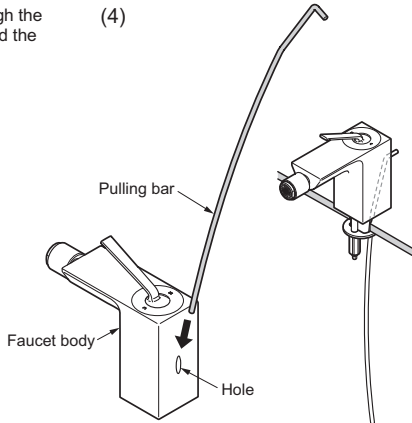
4 Identification of Parts

Identify the following parts.

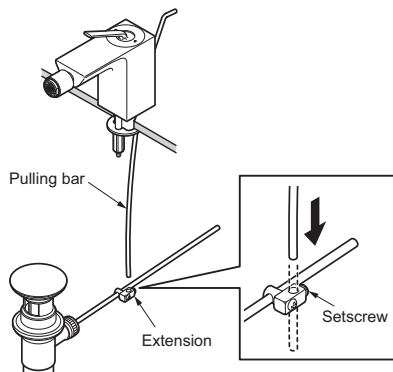


3-2 Connect the Pop-up waste. (Continued)

(4) a. Pass the pulling bar through the hole of the faucet body and the extension.

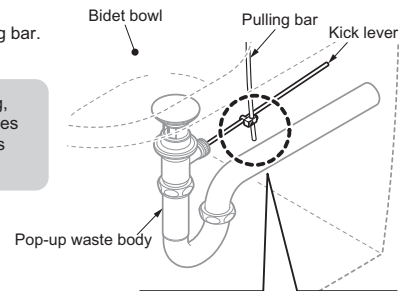


b. Anchor the extension and the pulling bar with the setscrew.

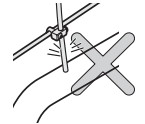


c. If the pulling bar interferes when discharging water, cut the pulling bar.

After the completion of mounting, operate the pulling bar a few times to check that the faucet operates normally.



There should not be any interference with the pulling bar in the down position.

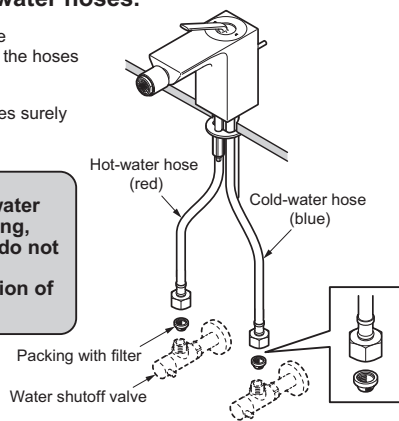


4 Connect the cold-/hot-water hoses.

- Set the packings with filter on the cold-/hot-water hoses and insert the hoses into the water shutoff valves.
- Connect the cold-/hot-water hoses surely with the water shutoff valves.

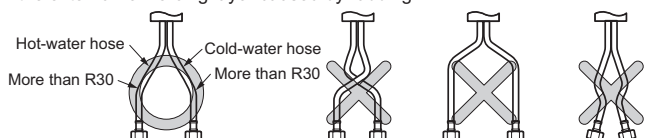
Cautions

- To prevent the cold-/hot-water supply hoses from drooping, anchor them so that they do not move.
- Pay attention to the direction of the packing with filter.



Cautions in the installation of the cold-/hot-water hoses

- Use care not to bend the hose with more force than necessary. The minimum bending radius is 30mm. If the hose with a bending radius smaller than this, sufficient flowrate may not be obtained and the hose may break and leak water.
- Do not proceed with the installation work with a hose that is bent extremely from the end face of the faucet body.
- Do not pull the hose with undue force. Otherwise, the hose may bend.
- Avoid unnecessary contact with the hoses. Otherwise, the hose performance may deteriorate due to external damage to the external reinforcing layer caused by rubbing.

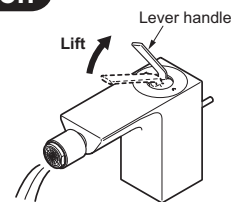


Adjustment after installation

Turn-on water confirmation

After the completion of installation, open the main tap in the plumbing and confirm that water comes out from the spout.

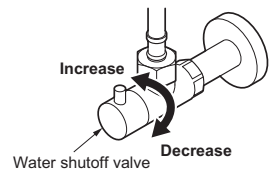
Also, check the hose connections and clearances for any water leakage.



Flowrate adjustment by water shutoff valve

Turn the water shutoff valve in the plumbing.

If the flowrate is too high or too low or temperature cannot be adjusted well when the lever handle is turned to the fully open position, wasted water and splashing can be avoided by adjusting the water shutoff valve.



Cautions in Use

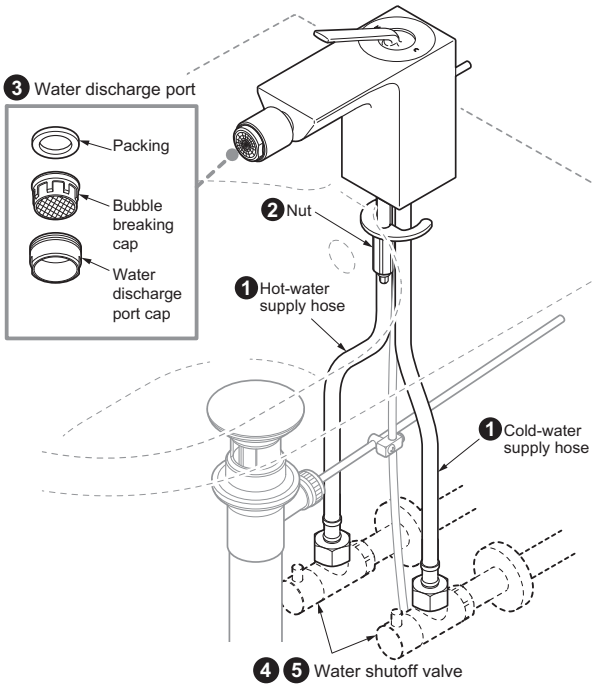
The following phenomenon may occur during use, but it is not due to any trouble. Explain it adequately to the customer.

Phenomenon	Explanation
When the product is used for a while once installed, the handle operation feels heavy.	It is due to the internal parts breaking in, and it is not due to any trouble.

9

Checking Items

When the installation is over, check the following items.



Checking water leakage

Check if water leaks.

- 1 Are the cold-/hot-water supply hoses and the water shutoff valve mounted securely?

Refer to **6-4** - **4** Connect the cold-/hot-water hoses.

Checking for looseness

Check the product for looseness.

- 2 Is the nut loosened?

Refer to **6-2** - **2** Mount the faucet body.

Checking the flowrate and water discharge temperature

If little water flows from the faucet and the temperature cannot be adjusted well, check the following items.

- 3 Is the water discharge port clogged with dirt?

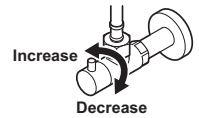


Refer to **6-4** - **3** Clean the water discharge port.

- 4 Is the water shutoff valve open?

- 5 Is the water pressure too strong?

Refer to **7** Turn-on water confirmation.



* Hand the attached operation manual, etc. over to the customer without fail.