

施工说明书 Installation Manual

安装产品前请仔细阅读本施工说明书，并保留备用。
Before installing the product, please read the Installation Manual carefully and keep it for future reference.

TOTO

TOTO

OG5401Y(A)
2023.02

目录

目 录

目录	1
明细单	2
使用条件与使用上的注意	3
施工上的注意与保养	4
安装完成图	5-9
水嘴的安装	10-13
生产厂家与销售商	14

明细单

明 细 单

水嘴主体部	1套
排水金具	1套
施工说明书	1本
使用说明书	1本

使用此明细单的产品包括：

- TRG07301* 铜合金台式单柄双控净身器水嘴 (含排水配件)
- TRG08301* 铜合金台式单柄双控净身器水嘴 (含排水配件)
- TRG09301* 铜合金台式单柄双控净身器水嘴 (含排水配件)
- TRG10301* 铜合金台式单柄双控净身器水嘴 (含排水配件)
- TRG11301* 铜合金台式单柄双控净身器水嘴 (含排水配件)

使用条件与施工上的注意

使用条件

1. 供冷水*热水压强：
最低压强……0.05MPa（流动压）
最高压强……1.0MPa（静压）
推荐使用压强……0.1~0.5MPa（流动压）
检测压强……1.6MPa（静压）
2. 供水温度在4℃~90℃，建议使用热水温度60℃，供热水请勿使用蒸汽。
3. 使用环境温度0℃以上。如果不高于0℃，水嘴会出现变形、冻裂现象。
4. 长时间不使用时，可能导致水嘴内部及外部锈蚀不能使用等现象。
5. 如果您需要废弃本产品，请勿将其作为一般生活垃圾处理，请依照法规经由独立的回收体系进行合适的处理、恢复和回收。
6. 本说明书中的产品具有清洗功能。

施工上的注意

- ⚠ 警告** 表示如果无视此标志而误操作时，有可能造成人员重伤或死亡。
⚠ 注意 表示如果无视此标志而误操作时，有可能造成人身伤害或财产损失。

⚠ 警告

1. 水嘴的供热水一侧处于高温状态，请勿使皮肤直接接触五金配件表面，否则可能会烫伤。
2. 请勿配反冷*热水配管，否则可能会烫伤。
3. 供热水请勿使用蒸汽，否则可能会烫伤。
4. 如果客户不使用我们水嘴自带的进水口过滤网，会出现阀芯因异物进入而导致漏水或破损的风险。

⚠ 注意

1. 请勿撞击本产品，否则可能会造成故障、漏水。
2. 如果吐水压力大，请调节止水阀达到需要的流量，避免水势过大，溅出净身盆。

施工上的注意与保养

⚠ 注意

3. 随着产品式样的不断更新，实物存在与图示不符的情况，但基本安装、使用原理相同。
4. 在可能结冰的场所使用时，要切实做好防冻措施。
因结冰，零件破损，有可能导致漏水，造成财产损失。因结冰而造成的破损即使在保修期内也是有偿修理。请不要让产品的环境温度低于0℃。

防冻措施

- 在可能结冰的场所使用时，要切实做好防冻措施。
1. 产品结冰的话零件损坏，成为漏水的原因。
 2. 因结冰造成的零件破损即使在保修期也是有偿修理。
 3. 施工完了后或长时间不使用时，要有预防突然降温的准备，要对产品进行结冰预防。
 4. 因为有结冰的危险，请不要让产品周围的温度在0℃以下。

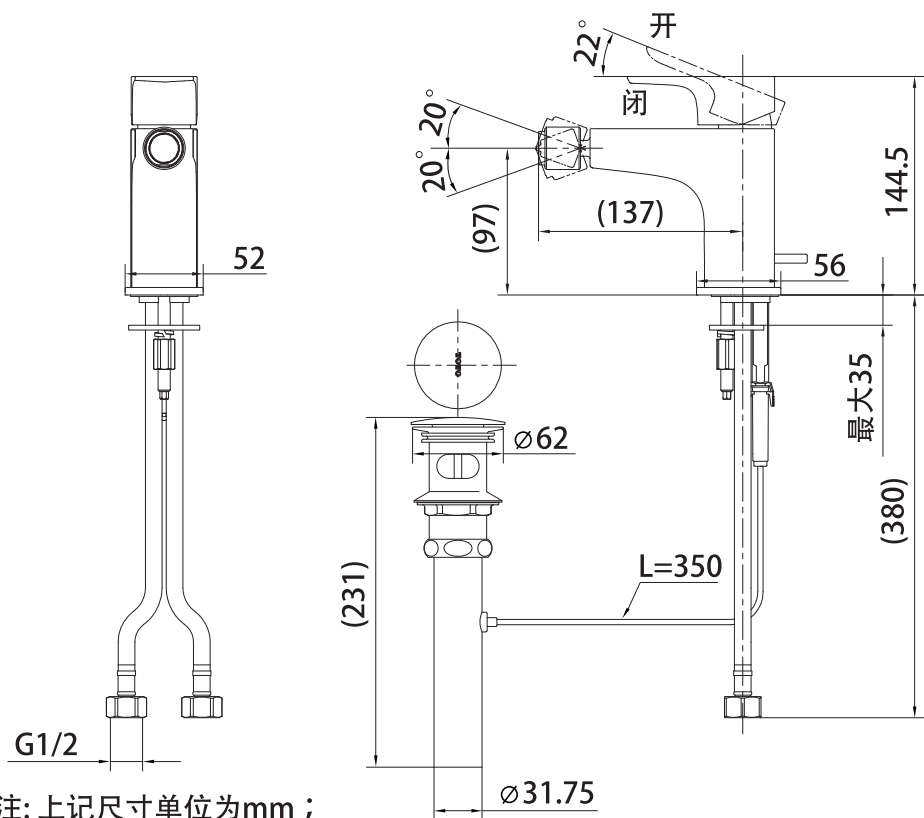
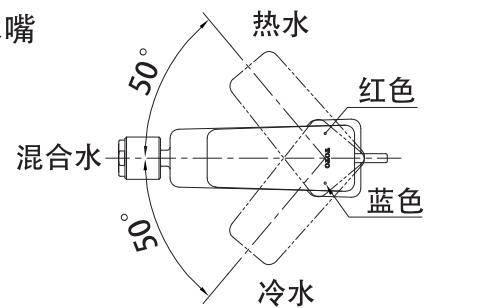
保养

- 为长期保持产品的美观，请用户按以下方法维护保养。
1. 经常用软布擦拭，间或用软布蘸水擦拭。
 2. 当有污垢且较明显时，请用中性洗涤剂擦拭后充分进行水洗。

安装完成图

TRG07301*系列

铜合金台式单柄双控净身器水嘴

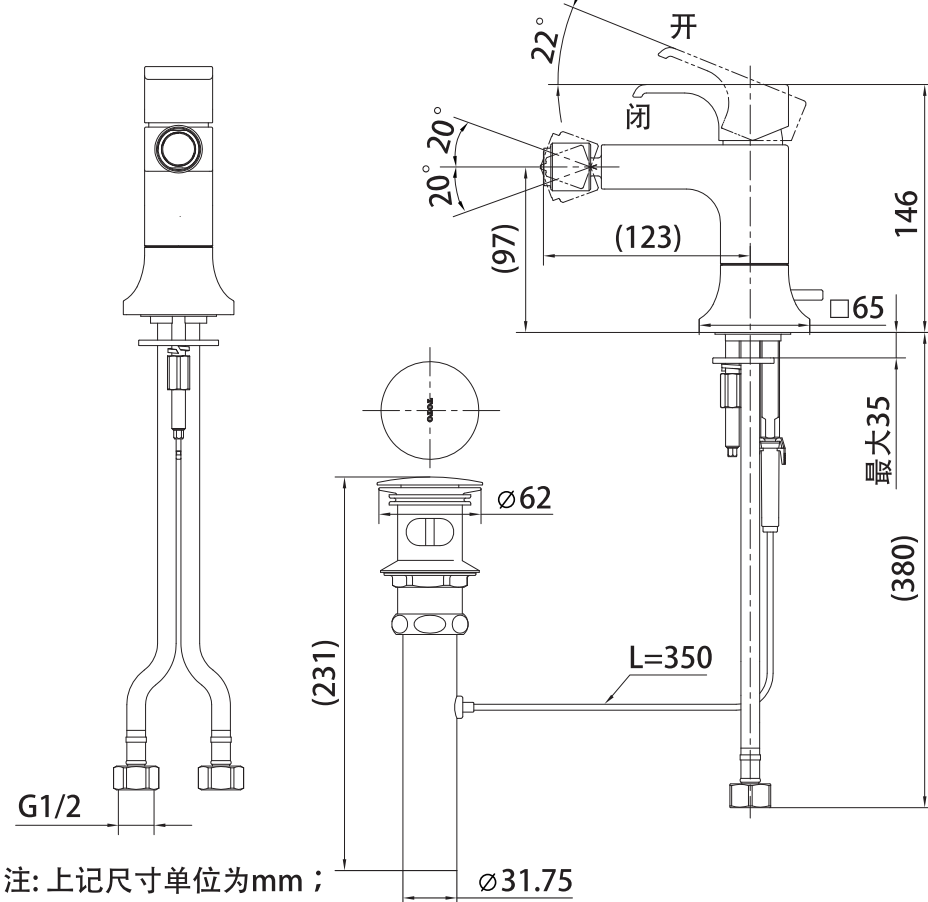
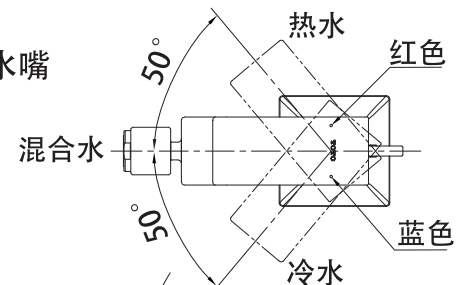


注: 上記尺寸单位为mm ;
()内尺寸为参考尺寸。

安装完成图

TRG08301*系列

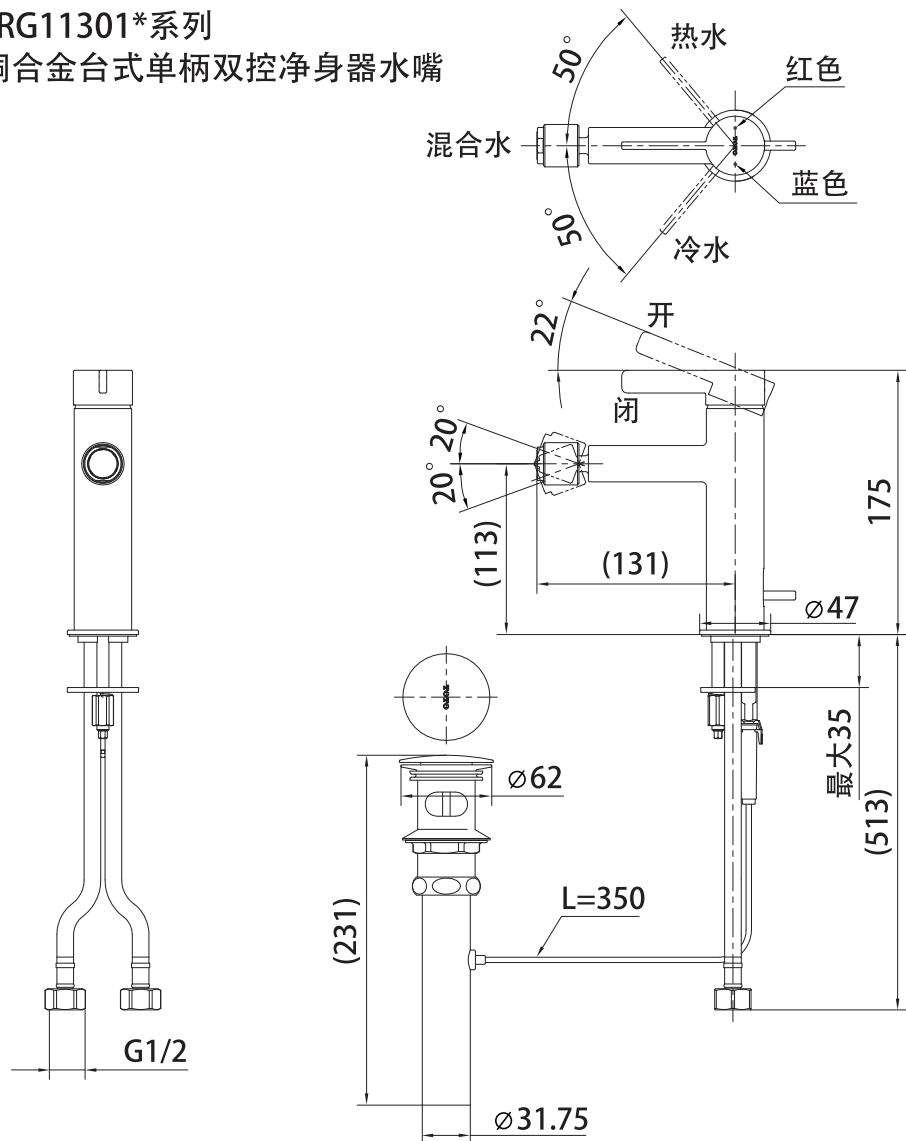
铜合金台式单柄双控净身器水嘴



注: 上記尺寸单位为mm ;
()内尺寸为参考尺寸。

安装完成图

TRG11301*系列 铜合金台式单柄双控净身器水嘴



注: 上記尺寸单位为mm ;
()内尺寸为参考尺寸。

水嘴的安装

1. 供水管内的清扫

水嘴安装前必须先将供水管内的尘埃、砂砾等到完全洗净、冲出。

2. 水嘴主体部分的安装

(1) 如图1所示, 卸下本体下部的六角螺母、弹簧垫片、马蹄垫片。

(2) 调整本体方向, 使其正面朝向净身盆。

注意: 橡胶垫片与双面胶垫片应和本体紧密贴着。

(3) 从净身盆的下部用马蹄垫片、六角螺母和弹簧垫片将水嘴紧固在净身盆上。

(4) 将有红色线的耐压软管与供热水端连接, 将有蓝色线的耐压软管与供冷水端连接。

注意:

- ① 接入供水管前务必确认紧固螺母内有无过滤网。
- ② 为了不使主体松动, 请拧紧六角螺母。

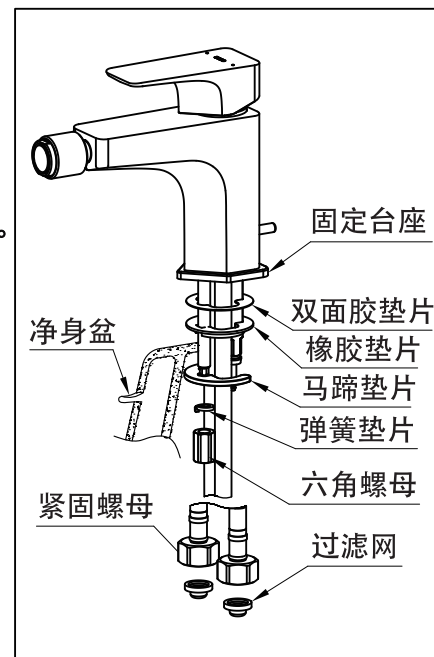
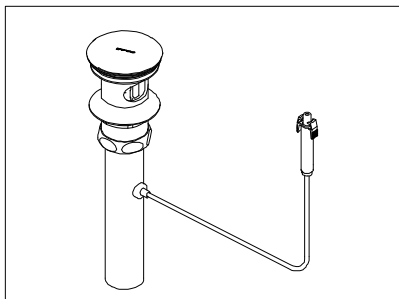


图1(水嘴主体的安装)

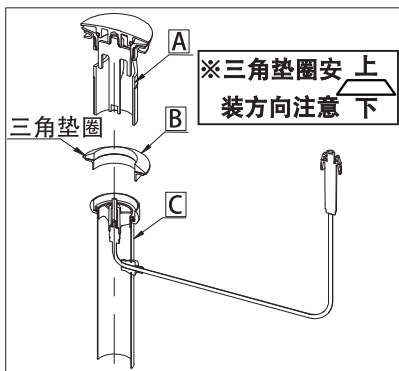
※不同示例产品的安装原理基本相同。

水嘴的安装

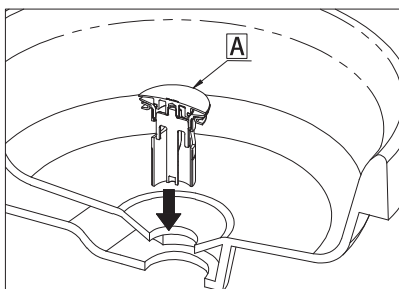
排水配件的安装 (示例)



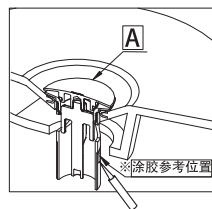
①排水配件的包装状态。



②排水配件的分解
按照图示将排水配件拆卸分为
A、B、C三部分。

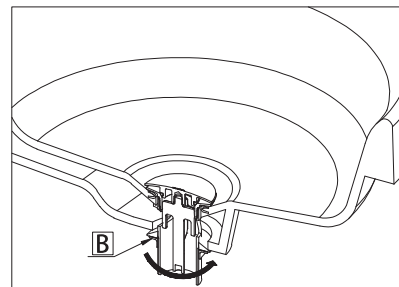


③把A部分从洗面盆的排水口上
方放入。与三角垫圈接触的A部
螺纹部整周均匀涂抹适量的长效
防霉型中性硅酮密封胶。

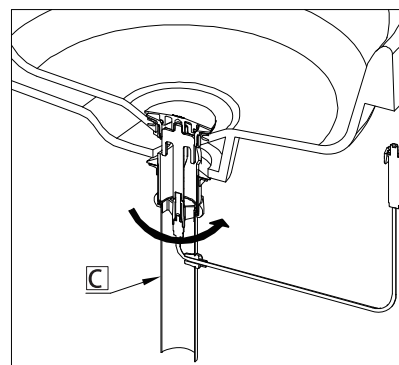


水嘴的安装

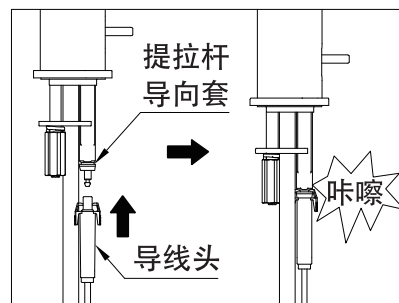
排水配件的安装 (示例)



④将B部分从洗面盆的排水口下方
旋入A部，旋转螺母直到B部上端面
和洗面盆紧密贴紧为止。
※B部中间的树脂垫片请勿疏漏。



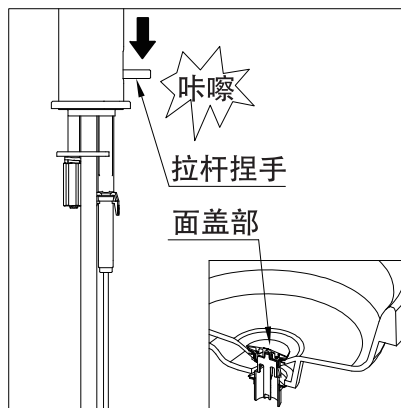
⑤C部的螺母与A部下端螺纹对齐后，
旋转C部螺母，直至拧紧。



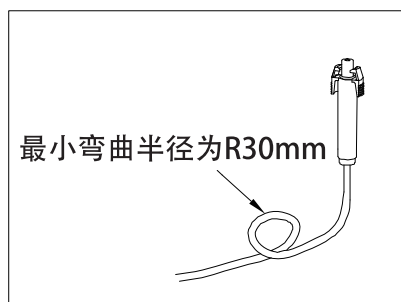
⑥连接部位的安装 (如图所示)
a. 客户将排水金具的导线头扣入提
拉杆导向套底部即可。
b. 听到咔嚓声为止。
**注意: 不要用力推, 以免造成损坏
现象。**

水嘴的安装

排水配件的安装（示例）



- ⑦ 按下拉杆捏手，听到咔嚓声为止。
※确认是否安装好：
按下拉杆捏手、面盖部弹起，再次
提拉拉杆捏手，面盖部关闭止水。
注意：不要用力推，以免造成损坏现象。



- ⑧ ※排水胶皮线的最小弯曲半径为
R30mm。

生产厂家与销售商

产品型号：见包装箱上的标签

产品名称：见包装箱上的标签

生产日期：见包装箱上的标签

组装工厂：东陶(大连)有限公司

电 话：(0411) 87624383

厂 址：大连经济技术开发区东北二街17号

东陶(中国)有限公司

全国售后服务电话：800-820-9787(固定电话)
400-820-9787(手机用户)

销售商：东陶(中国)有限公司

地 址：北京市朝阳区光华路1号 北京嘉里中心北楼1915室
网 址：www.toto.com.cn

Table of Contents

Table of Contents

Table of Contents	1
Specification	2
Use Conditions and Attention on Installation	3
Attention and Maintenance for Installation	4
Installation Completion Diagramt.....	5-9
Installation of Spout	10-13

Specification

Specification

Main Body of the Spout.....	1 set
Drain Assembly.....	1 set
Installation Manual.....	1 booklet
User Manual	1 booklet

Products using this specification include:



TRG07301*	"GE" Bidet Faucet (including drainage fittings)
TRG08301*	"GC" Bidet Faucet (including drainage fittings)
TRG09301*	"GM" Bidet Faucet (including drainage fittings)
TRG10301*	"GB" Bidet Faucet (including drainage fittings)
TRG11301*	"GF" Bidet Faucet (including drainage fittings)

Use Conditions and Attentions on Installation

Use Conditions

1. Pressure for cold water * hot water supplying
Minimum pressure.....0.05MPa (flow pressure)
Maximum pressure.....1.0MPa (static pressure)
Recommended pressure.....0.1~0.5MPa (flow pressure)
Detection pressure.....1.6MPa (static pressure)
- 2.The water supply temperature is between 4°C and 90°C. It is recommended to use hot water temperature of 60 °C. Do not use steam when supplying hot water.
- 3.Ambient temperature of the use above 0°C. If it is lower than 0°C, the spout will have some issues such as deformations, cracking, etc..
- 4.When it is not used for a long time, it may cause the inside and outside of the spout to rust and corrode, leading to malfunction.
- 5.If you need to dispose of this product, do not dispose of it as general household waste. Please follow the regulations to properly dispose, recover and recycle it through an independent recycling system.
- 6.The products stated in the Manual have a cleaning function.

Attention on Installation

-  **Warning:** it means that ignoring this mark and misoperation may cause serious personal injury and death.
-  **Attention:** it means that ignoring this mark and misoperation may cause personal injury or property loss.

Warning

1. As one side of the spout to supply hot water is in a high-temperature state, do not let the skin be directly in contact with the surface of the hardware fitting; otherwise it may cause burn injuries.
2. Do not assemble cold * hot water tubing incorrectly; otherwise it may cause burn injuries.
3. Do not use steam when supplying hot water; otherwise it may cause burn injuries;
4. If the customer does not use the water inlet filter provided, there will be a risk of leakage or damage of the cartridge due to dirt or debris.

Attentions

1. Do not hit this product; otherwise it may cause malfunction or water leakage.
2. If the water outlet pressure is too high, please adjust the water stop valve to reach the required flow to avoid excessive water splashing out of the bidet.

Attention and Maintenance for Installation

⚠️ Attentions

3. With the product model being updated constantly, the physical object may not coincide with the figure. However, the basic installation and operation principles are the same.
4. When using in places where icing may occur, anti-freezing measures must be taken. The parts will be damaged due to icing, which may cause water leakage and property loss. Damages caused by icing are repaired for a fee even during the warranty period. Please ensure that the ambient temperature of the product is always above 0°C.

Anti-freezing measures

When using in places where icing may occur, anti-freezing measures must be taken.

1. The parts will be damaged due to icing, which may cause water leakage.
2. Damaged parts caused by icing are repaired for a fee even during the warranty period.
3. After the construction is completed or when it is not used for a long time, prepare to prevent sudden drop of temperature and prevent the product from icing.
4. Because of the risk of icing, please ensure that the ambient temperature of the product is always above 0°C.

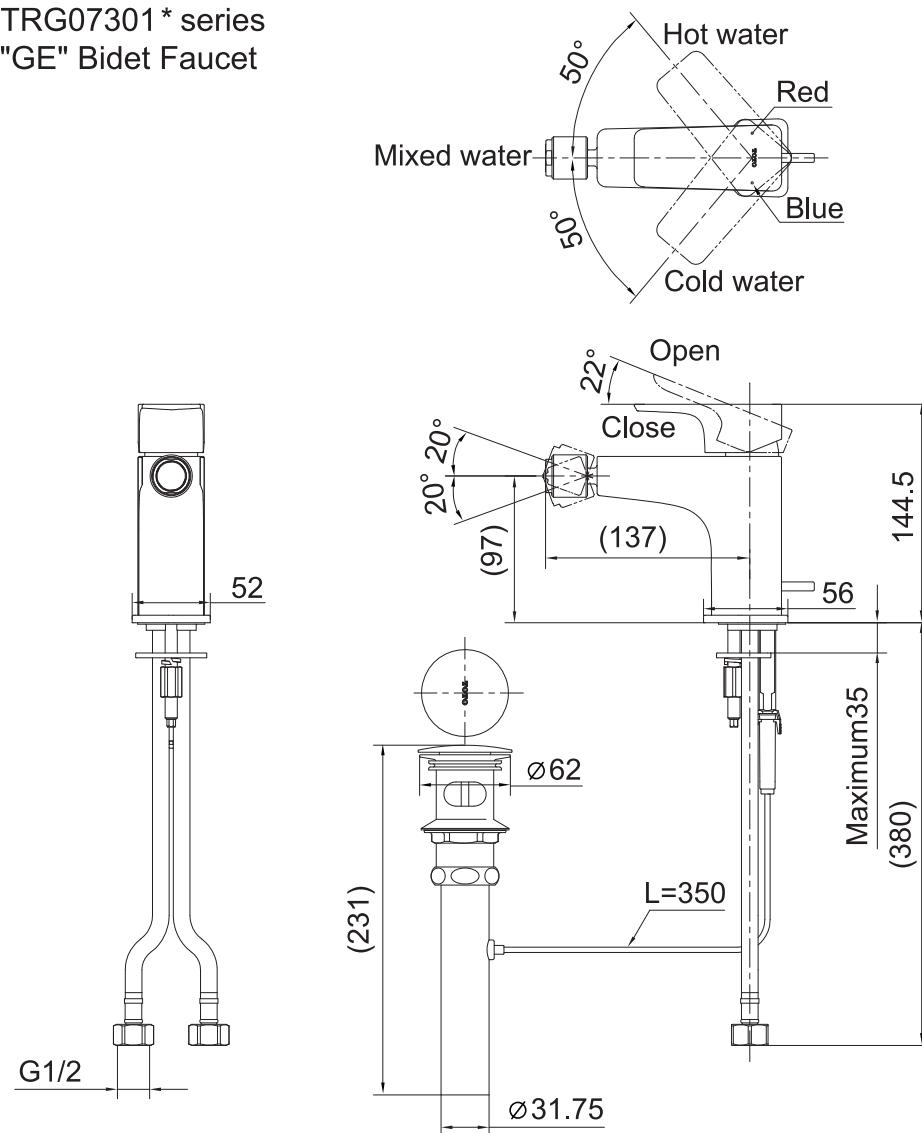
Maintenance

In order to maintain the decent appearance of the product for a long time, please maintain it according to the following methods.

1. Wipe with a soft cloth often, or wipe with a soft cloth with water occasionally.
2. When there is dirt and it is obvious, please wash it with water thoroughly after wiping it with neutral detergent.

Installation Completion Diagram

TRG07301 * series
"GE" Bidet Faucet

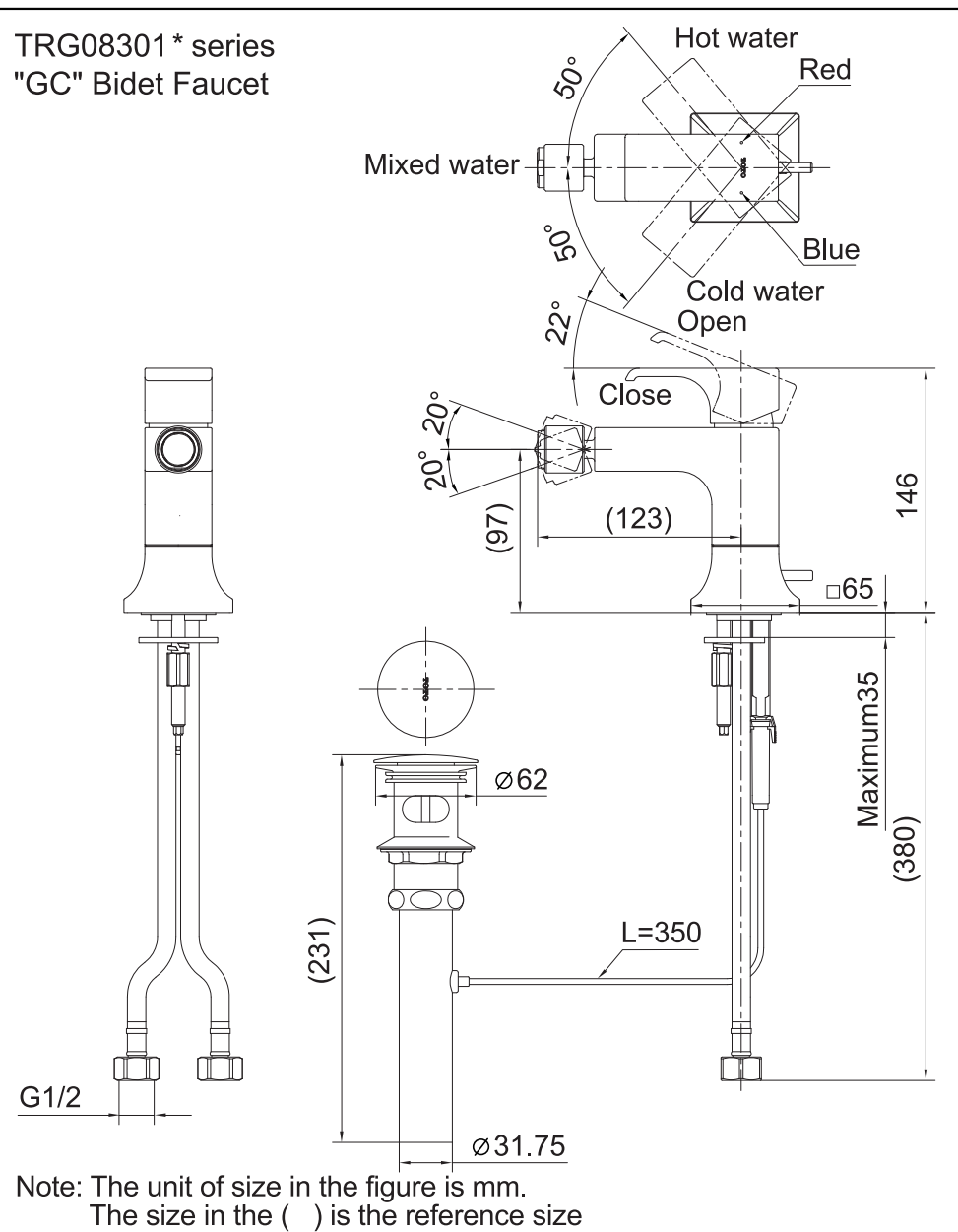


Note: The unit of size in the figure is mm.

The size in the () is the reference size

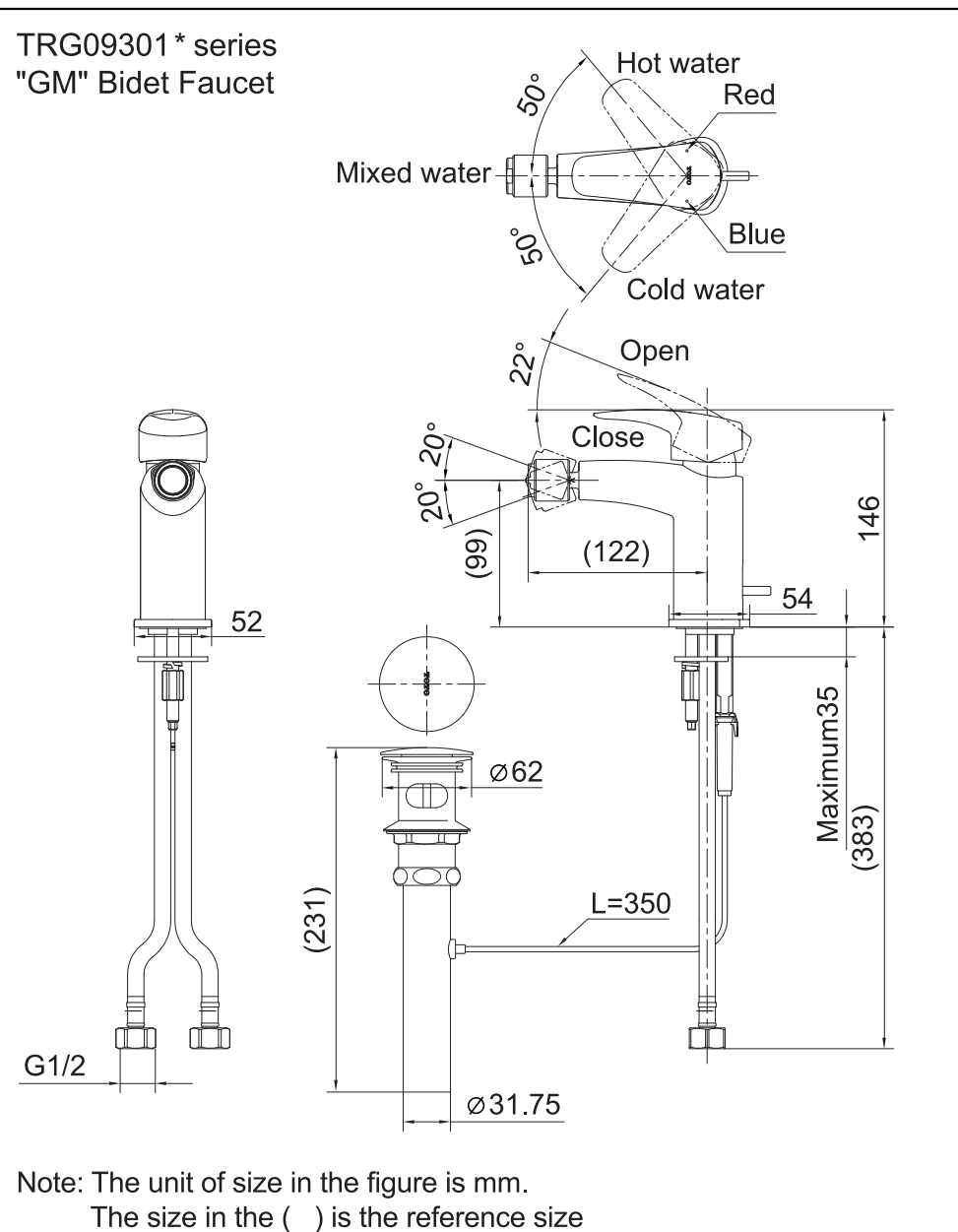
Installation Completion Diagram

TRG08301 * series
"GC" Bidet Faucet



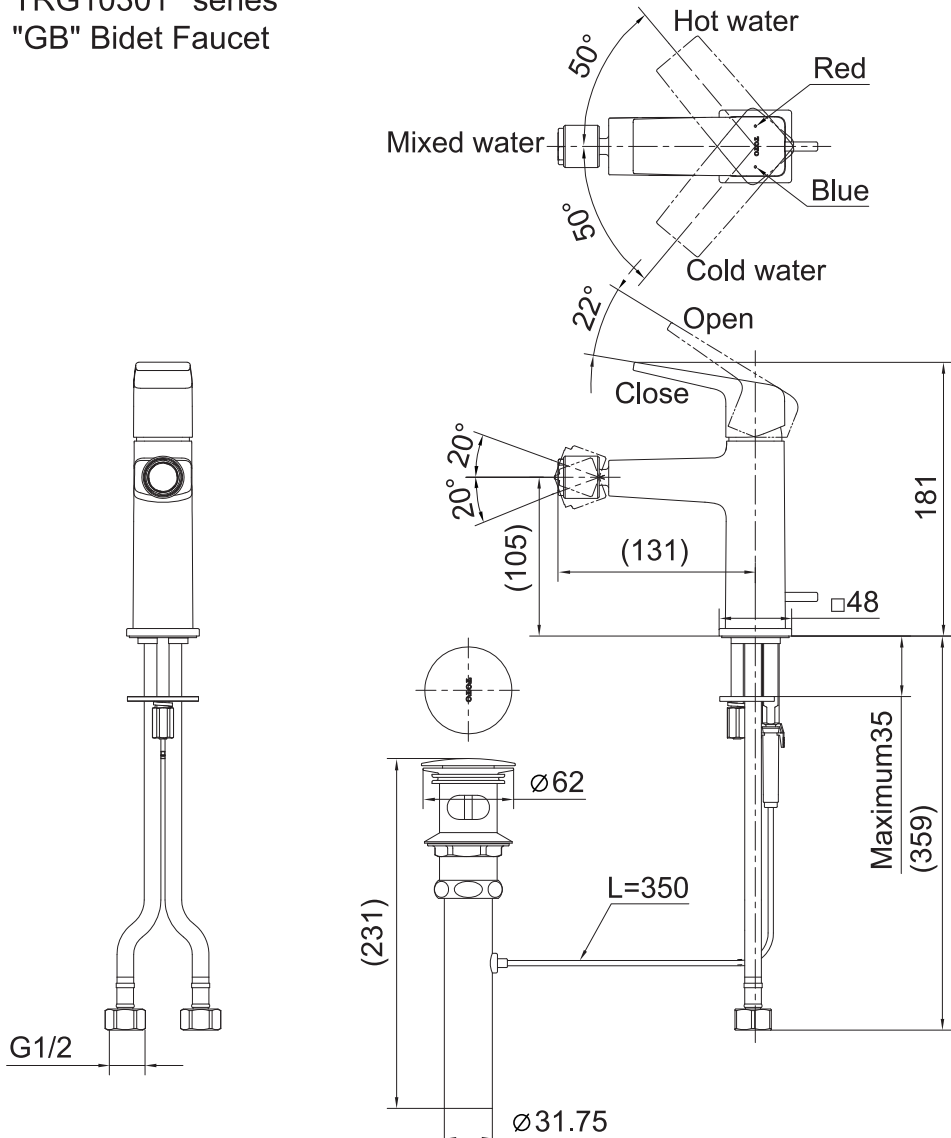
Installation Completion Diagram

TRG09301 * series
"GM" Bidet Faucet



Installation Completion Diagram

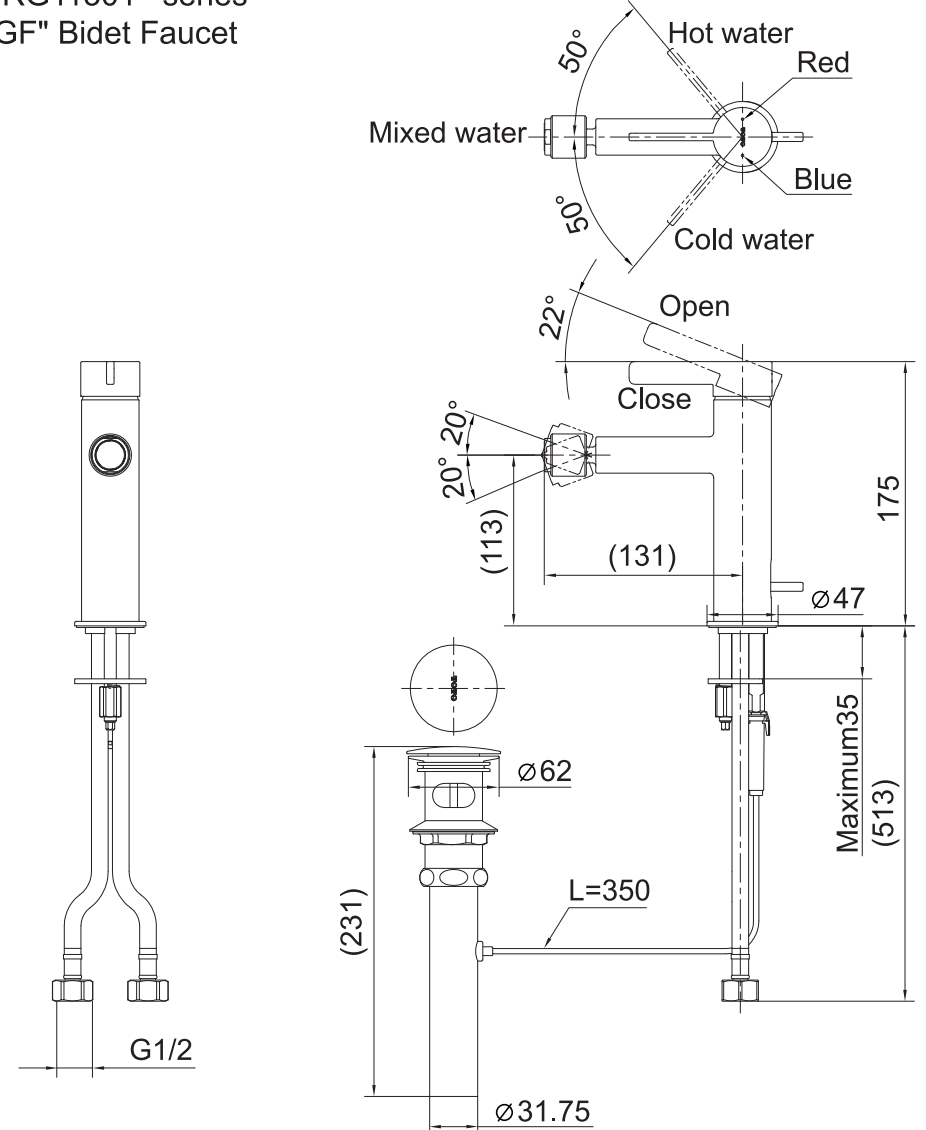
TRG10301* series
"GB" Bidet Faucet



Note: The unit of size in the figure is mm.
The size in the () is the reference size

Installation Completion Diagram

TRG11301* series
"GF" Bidet Faucet



Note: The unit of size in the figure is mm.
The size in the () is the reference size

Installation of Spout

1. Cleaning in the water supply pipe

Before installation, be sure to flush foreign matter such as dust and gravel in the water supply pipe.

2. Installation of faucet

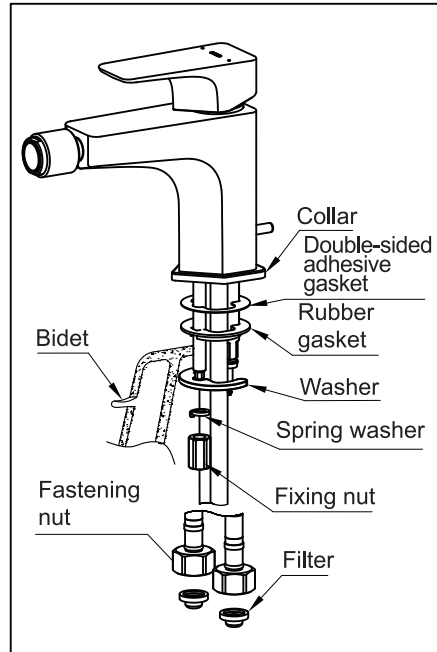
(1) As shown in Figure1, remove the mounting nut, spring washer and washer from the lower part of the main body.

(2) Adjust the body direction so that the front side faces the bidet.

NOTE: Rubber gasket and double-sided adhesive gasket should be closely attached to the body.

(3) Fasten the faucet from the lower part of the bidet with the washer, mounting nut and spring washer.

(4) Connect the red water supply hose to the hot water supply line, and the blue water supply hose to the cold water supply line.



(Figure1) Installation of faucet

Note:

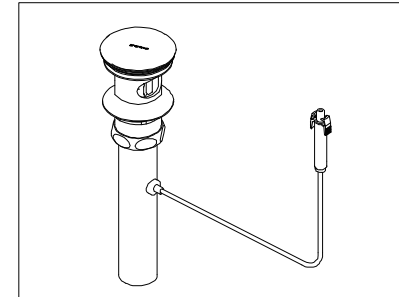
① Before connecting the water supply line, confirm that the gasket is in the fastening nut.

② Please tighten the mounting nut to prevent the main body from loosening.

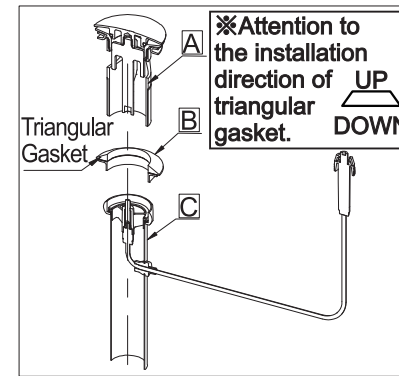
※ The disassembly principle of different sample products is basically the same

Installation of Spout

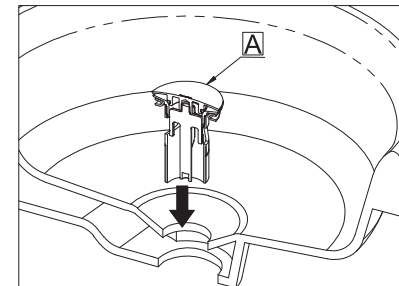
Installation of drain assembly (Example)



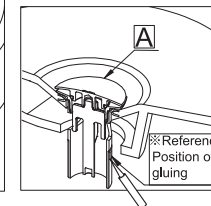
① Package status of drain assembly



② Disassembling of drain
Please disassemble the drain into Part A, B and C as shown in the figure

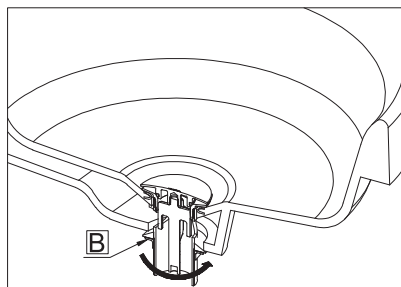


③ Put Part A from above the drain port of the lavatory. Evenly apply an appropriate amount of DURABLE ANTI-FUNGI SILICONE SEALANT to the threads of the part A in contact with the triangular gasket all around.



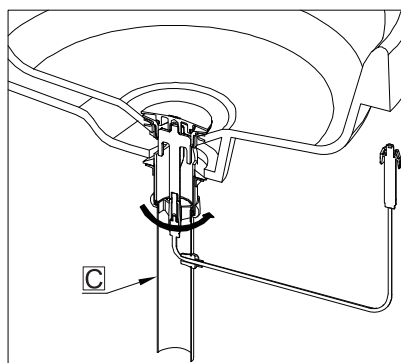
Installation of Spout

Installation of drain assembly (Example)

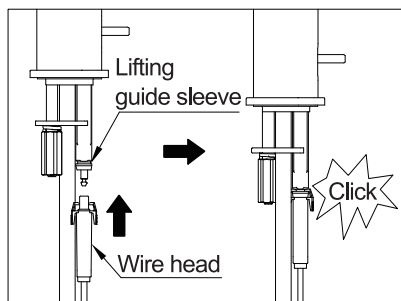


- ④ Screw Part B from the bottom of the lavatory into Part A, turn the nut until the upper end of Part B is secured to the lavatory.

※ Please don't forget the gasket in the middle of Part B.



- ⑤ After the nut of Part C is aligned with the lower end thread of Part A, turn the nut in Part C until it is tightened.

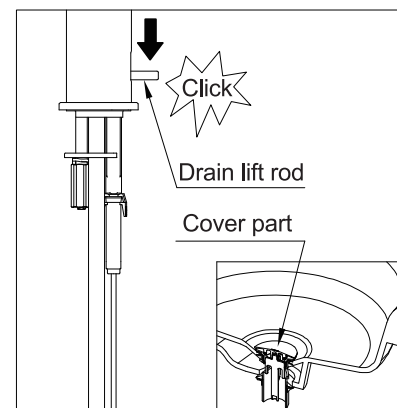


- ⑥ Connecting part installation (as shown in the figure)
 a. User shall buckle the wire head of the drain assembly into the bottom of the lifting guide sleeve.
 b. Until it clicks.

Note: Do not push it with force to avoid any damage.

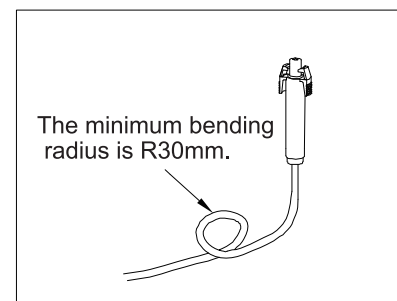
Installation of Spout

Installation of drain assembly (Example)



- ⑦ Press the drain lift rod until it clicks.
 ※ Check if it is well installed:
 Press the drain lift rod and the cover part will pop up, then pull the drain lift rod again and the cover part will closed to stop the water.

Note: Do not press it with force to avoid any damage.



- ⑧ ※ The minimum bending radius of the drain rubber wire is R30mm.

TOTO Asia Oceania Pte. Ltd.

Telephone:65-6744-6955

FAX: 65-6841-0819

Address:10 Eunos Road 8 #12-07 Singapore Post Centre

Singapore 408600

Website:asia.toto.com

TOTO KOREA LTD.

전화번호 : (02)-3141-8236

FAX 번호 : (02)-3141-8240

주소 : 서울시 마포구 토정로112(상수동, 로이코빌딩 3층)

홈페이지 : <https://kr.toto.com/>