

# 施工说明书 Installation Manual

安装产品前请仔细阅读本施工说明书，并保留备用。  
Before installing the product, please read the Installation  
Manual carefully and keep it for future reference.

# TOTO

# TOTO



安装完成后，本说明书务必交由客户保存。  
After installation, the manual must be kept by the customer.

0G260G(C)  
2023.07



# 目录

## 目 录

TOTO Asia Oceania Pte. Ltd.  
Telephone:65-6744-6955  
FAX: 65-6841-0819  
Address: 10 Eunos Road 8 #12-07 Singapore Post Centre  
Singapore 408600  
Website:asia.toto.com

TOTO KOREA LTD.  
전화번호: (02)-3141-8236  
FAX번호: (02)-3141-8240  
주소 :서울시마포구상수동351-16번지로이코빌딩3층  
홈페이지: <https://kr.toto.com/>

目录.....	1
明细单.....	2
使用条件与施工上的注意.....	3
保养.....	4
安装完成图.....	5-6
水嘴的安装.....	7
生产厂家与销售商.....	8

# 明细单

## 明细单

水嘴主体.....	1套
吐水口治具.....	1个
滤网垫片.....	1个
施工说明书.....	1本
使用说明书.....	1本

使用此明细单的产品包括:

TLG04101\* 铜合金台式单柄单控水嘴 (单孔)

TLS01101\* 铜合金台式单柄单控水嘴 (单孔)

# Faucets installation

## 1. Cleaning in water supply pipe

Before installing the faucets it is imperative to wash and flush out the dust, sand, etc. in the water supply pipe.

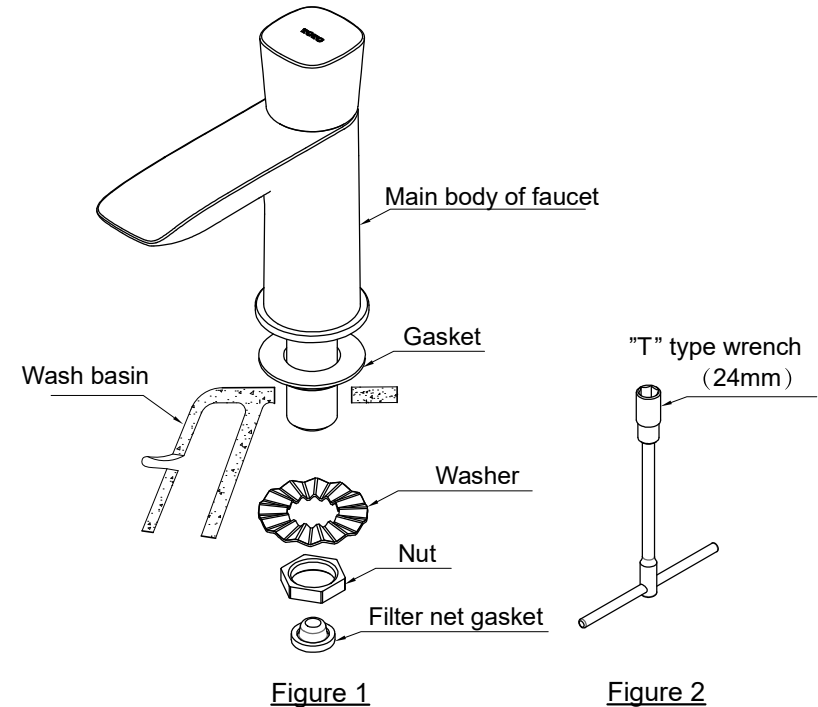
## 2. Faucet installation

- (1) As shown in Figure 1, remove the nut, washer under the main body of the faucet.
- (2) Place the main body of water nozzle together with the gasket in the installation hole of the wash basin. Adjust the direction of the main body so that it is installed on the wash basin with the front side facing forward.
- (3) Fix the faucets onto the wash basin from the lower part of the wash basin using washer, nut.

Note: 1. Before connecting in the water supply pipe, be sure to confirm if any filter net gasket exists in the nut.

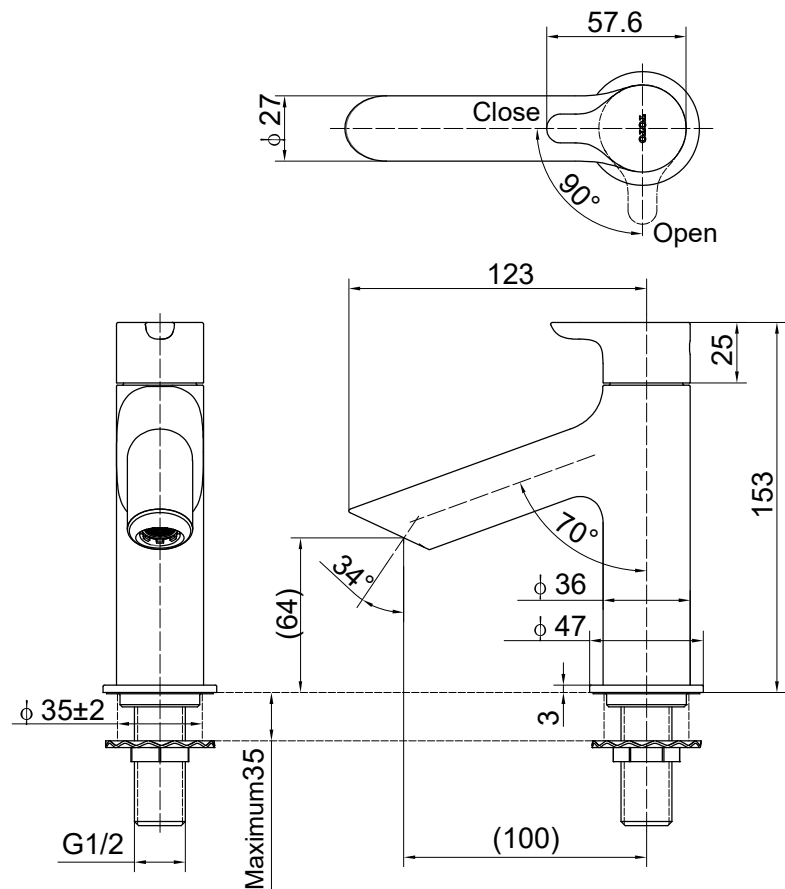
2. In the circumstance that it is impossible or hard to construct with a general wrench (not supplied), it is recommended to use the wrench (not supplied) available in market as shown in Figure 2.

Take TLG04101\* as an example



# Installation completion figure

TLS01101\* series  
"LB" Lavatory Faucet (Cold Only)



Note: The above dimensional unit is mm.  
The dimension in ( ) is reference dimension.

# 使用条件与施工上的注意

## 使用条件

- 供冷水压力:  
最低压力……………0.05MPa (流动压)  
最高压力……………1.0MPa (静压)  
推荐使用压力……………0.1~0.5MPa (流动压)  
检测压力……………1.6MPa (静压)
- 建议供水温度在1℃~40℃, 如果高于40℃, 可能会导致烫伤。
- 使用环境温度0℃以上。如果不高于0℃, 水嘴会出现变形、冻裂现象。
- 长时间不使用时, 可导致水嘴内部及外部锈蚀不能使用等现象。
- 如果您需要废弃本产品, 请勿将其作为一般生活垃圾处理, 请依照法规经由独立的回收体系进行合适的处理、恢复和回收。
- 本说明书中的产品具有清洗功能。

## 施工上的注意

⚠ 注意 表示如果无视此标志而误操作时,有可能造成人身伤害或财产损失。

### ⚠ 注意

- 请勿撞击本产品, 否则可能会造成故障、漏水。
- 如果吐水压力大, 请调节止水阀达到需要的流量, 避免水势过大, 溅出洗面盆。
- 随着产品式样的不断更新, 实物存在与图示不符的情况, 但基本安装、使用原理相同。
- 在可能结冰的场所使用时, 要切实做好防冻措施。  
由于结冰, 零件破损, 有可能导致漏水, 造成财产损失。因结冰而造成的破损即使在保修期内也是有偿修理。请不要让产品的温度低于0℃。

# 保养

## 防冻措施

在可能结冰的场所使用时，要切实做好防冻措施。

1. 产品结冰的话零件损坏，成为漏水的原因。
2. 因结冰造成的零件损坏即使在保修期内也是有偿修理。
3. 施工完了后或长时间不使用时，要有预防突然降温的准备，要对产品进行结冰预防。
4. 因为有结冰的危险，请不要让产品周围的温度在0℃以下。

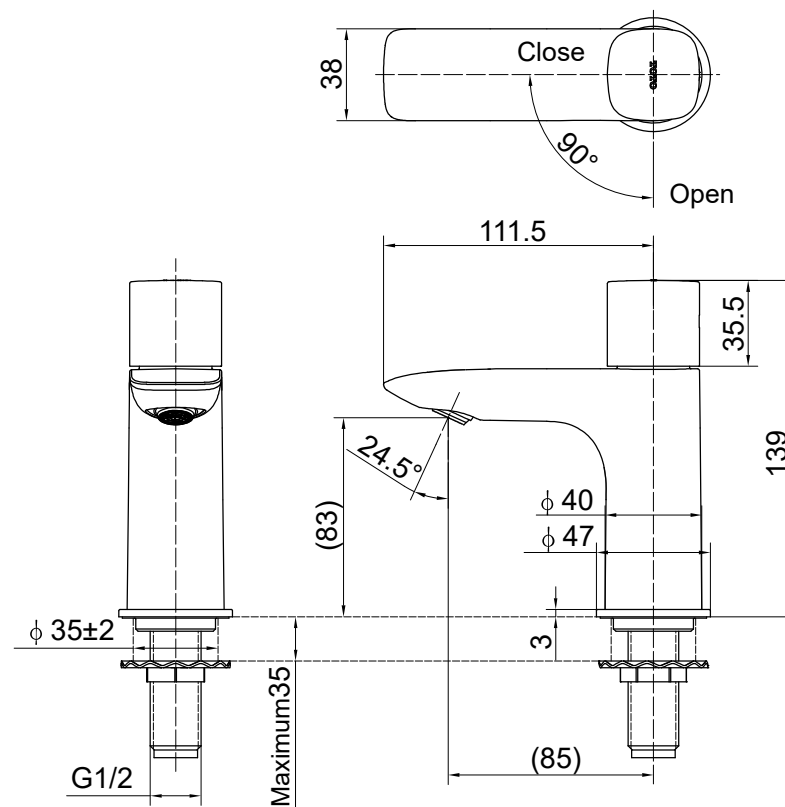
## 保养

为长期保持产品的美观，请用户按以下方法维护保养。

1. 经常用软布擦拭或用软布蘸水擦拭。
2. 当有污垢且较明显时，请用中性洗涤剂擦拭后充分进行水洗。

# Installation completion figure

TLG04101\*series  
"GA" Lavatory Faucet (Cold Only)



Note: The above dimensional unit is mm.  
The dimension in ( ) is reference dimension.

# Maintenance

## Anti-freezing measures

When using in places where frost damage may occur, anti-freezing measures must be taken.

1. The parts will be damaged due to frost damage, which may cause water leakage.
2. Damaged parts caused by frost damage are repaired for a fee even during the warranty period.
3. After the construction is completed or when it is not used for a long time, prepare to prevent sudden drop of temperature and prevent the product from frost damage.
4. Because of the risk of frost damage, please ensure that the ambient temperature of the product is always above 0°C.

## Attentions

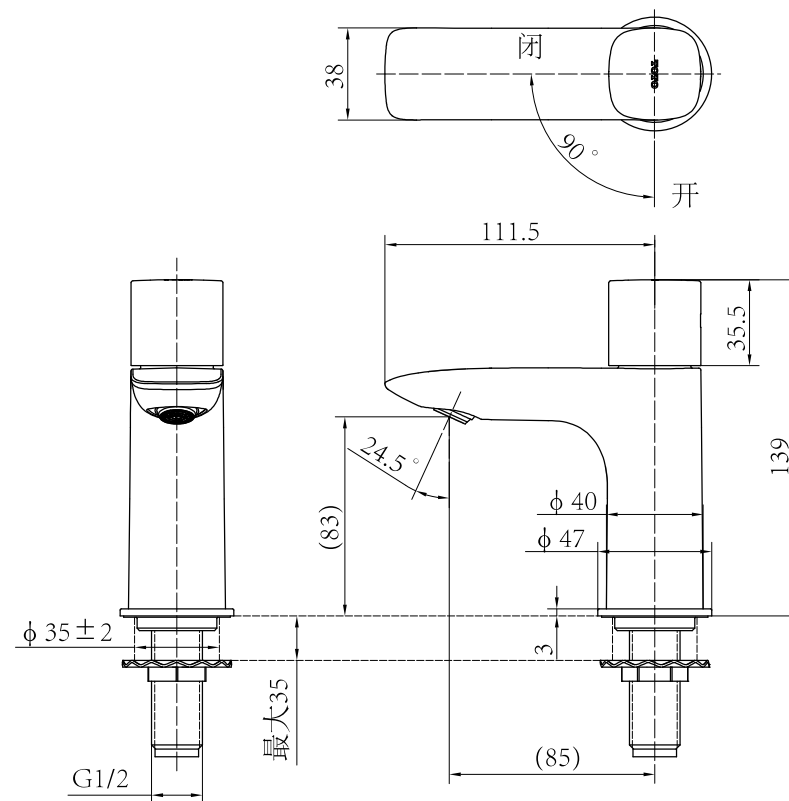
To maintain the good appearance of the product for a long time, the user is requested to conduct maintenance and care by the following method.

1. Wipe with a piece of soft cloth frequently and use a piece of soft cloth dipped in water to wipe from time to time.
2. When dirt exists obviously, please use water to wash sufficiently after wiping with a neutral detergent.

# 安装完成图

TLG04101\*系列

铜合金台式单柄单控水嘴（单孔）

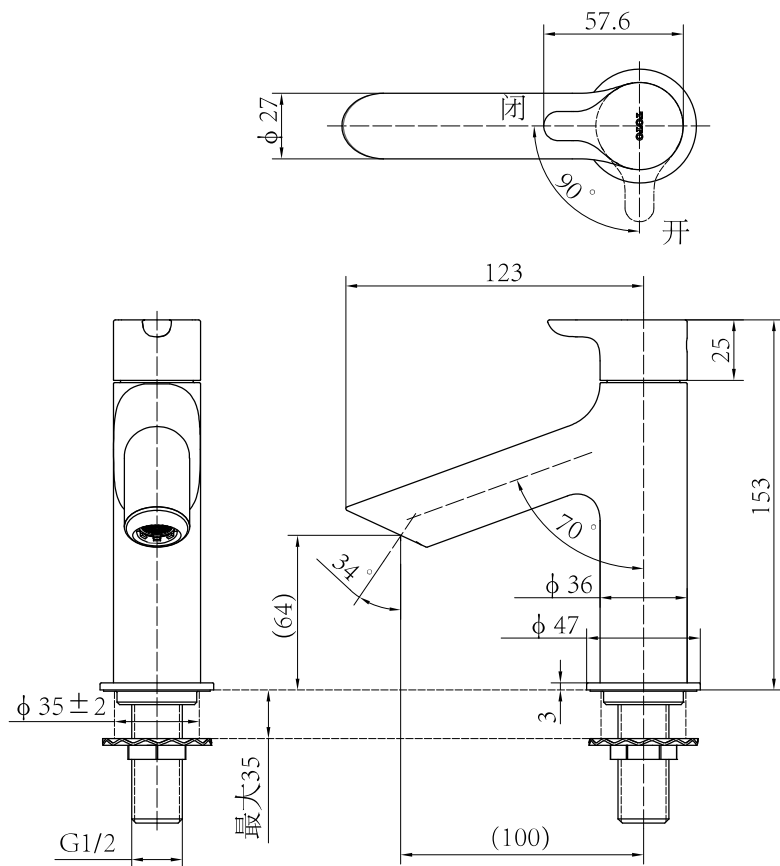


注：上記尺寸单位为mm；  
( )内尺寸为参考尺寸。

# 安装完成图

TLS01101\*系列

铜合金台式单柄单控水嘴 (单孔)



注: 上記尺寸单位为mm;  
( )内尺寸为参考尺寸。

# Use condition and attentions in construction

## Use condition

1. Cold water supply\*hot water supply pressure  
Minimum pressure ..... 0.05MPa (flow pressure)  
Maximum pressure ..... 1.0MPa (static pressure)  
Recommended Operating pressure ..... 0.1~0.5MPa (flow pressure)  
Test pressure ..... 1.6MPa (static pressure)
2. It is suggested that the water supply temperature should be 1°C~40°C. If being higher than 40°C, scalding may occur.
3. The ambient temperature for use is above 0°C. If the ambient temperature is not higher than 0°C, the faucets will deform and crack from freezing.
4. Being out of use for a long time may result in internal and external rust to the faucets and being unable to be used.
5. If you want to scrap this product, do not treat it as you do for general household garbage. Please follow relevant statutes to have it treated, recovered and collected appropriately by an independent recovery system.
6. The product in these instructions has a cleaning function.

## Attentions in construction

⚠ Attention: it means that ignoring this mark and misoperation may cause personal injury or property loss.

## ⚠ Attentions

1. Do not impact the product. Otherwise, failure, water leakage may occur.
2. If the water outlet pressure is too high, please adjust the water valve to the water flow you need to avoid the water sprinkled out the basin.
3. With the product design being updated constantly, the physical object may not coincide with the figure. However, the basic principle for installation, use is the same.
4. When using in places where frost damage may occur, anti-freezing measures must be taken. The parts will be damaged due to frost damage, which may cause water leakage and property loss. Damages caused by frost damage are repaired for a fee even during the warranty period. Please ensure that the ambient temperature of the product is always above 0°C.



## Detailed list

### Detailed list

Main body of faucets.....	1 set
Water outlet hardware.....	1 piece
Filter net gasket.....	1 piece
Instructions for construction.....	1 copy
Instructions for operation.....	1 copy

The products using this detailed list include:

TLG04101\* "GA" Lavatory Faucet (Cold Only)

TLS01101\* "LB" Lavatory Faucet (Cold Only)

## 水嘴的安装

### 1.供水管内的清扫

水嘴安装前必须先将供水管内的尘埃、砂砾等到完全洗净、冲出。

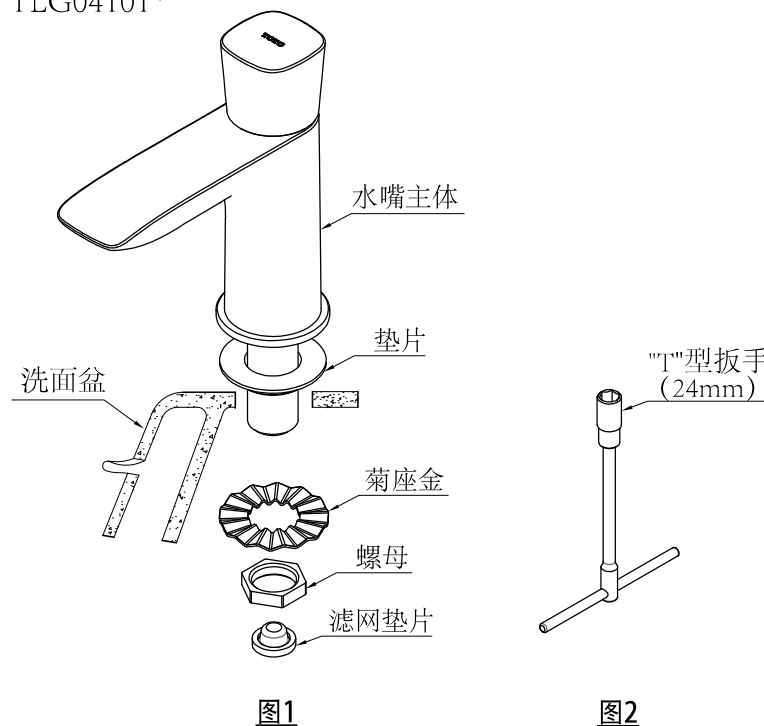
### 2.水嘴的安装

- (1)如图1所示，卸下水嘴主体下部的螺母、菊座金。
- (2)将水嘴主体连同垫片一起置于洗面盆安装孔中，调整主体方向使其正面朝前安装在洗面盆上。
- (3)从洗面盆的下部用菊座金、螺母将水嘴固定在洗面盆上。

注意：

- 1.接入供水管前务必确认螺母内有无滤网垫片。
- 2.在一般扳手（非附送）无法施工或施工困难的场合下推荐使用图2市贩“T”型扳手（非附送）。

例：TLG04101\*



# 生产厂家与销售商

产品型号：见包装箱上的标签

产品名称：见包装箱上的标签

生产日期：见包装箱上的标签

组装工厂：东陶机器(广州)有限公司

厂 址：广州市番禺区南村镇兴南大道715号

东陶(中国)有限公司

全国售后服务电话：800-820-9787(固定电话)

400-820-9787(手机用户)



扫描二维码，  
服务预约，方便快捷

销售商：东陶(中国)有限公司

地 址：北京市朝阳区光华路1号 北京嘉里中心北楼1915室

网 址：[www.toto.com.cn](http://www.toto.com.cn)

# Contents

## Contents

Contents .....	1
Detailed list .....	2
Use condition and attentions in construction .....	3
Maintenance.....	4
Installation completion figure.....	5-6
Faucets installation.....	7